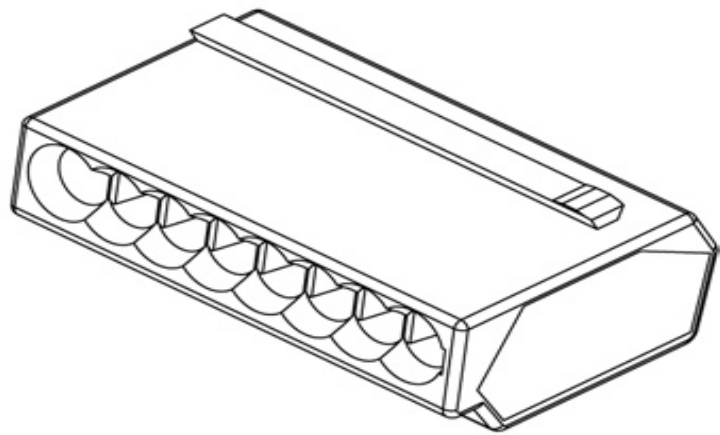
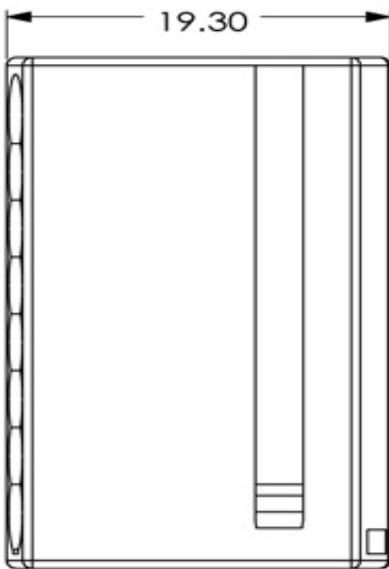
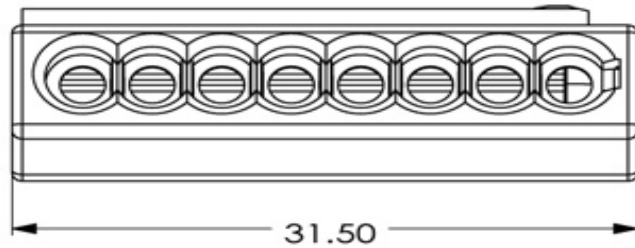
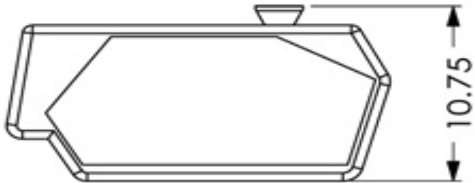




**Technical Specification**

Voltage:	450V	Material	
Curent	24A	Housing:	Polycarbonate(V2)
wire Size:	0,5-2,5 rigid		Polypropylene (V2)
UL-wire Size:	AWG 20-14 Solid/Strang	Terminal Body:	Steel, Bass
Temperature Range:	-40°C to + 110°C		Stainless Steel
		Finish	Tin-Plated

**Approvals**



**Ordering Information**

Serie	No. of Pos.	Color	ROHS	Packing		
<b>A16007</b>	<b>8</b>	<b>TC</b>	<b>R</b>	<b>B1</b>		

<b>8= 8Pos.</b>	<b>RD=Red</b>	<b>N= non ROHS</b> <b>R= ROHS</b>	<b>B1= Bulk-Ware 100PCS</b>
	<b>OR=Orange</b>		
	<b>YE= Yellow</b>		
	<b>GN= Green</b>		
	<b>BL=Blue</b>		
	<b>GY= Gray</b>		
	<b>BK=Black</b>		<b>B5= Bulk-Ware 500PCS</b>
	<b>TC= Transparency</b>		<b>B10= Bulk-Ware 1000PCS</b>

<b>Push - In- Wire Connector</b>	
Part No.:	<b>A16007</b>
Customer:	

DRW:	Jason	CHKD	Wilson	MATL:	Wilson	DATE	21.11.2016
APPD:	Schumi			FINISH	Jamy	Sheet	1 from 1