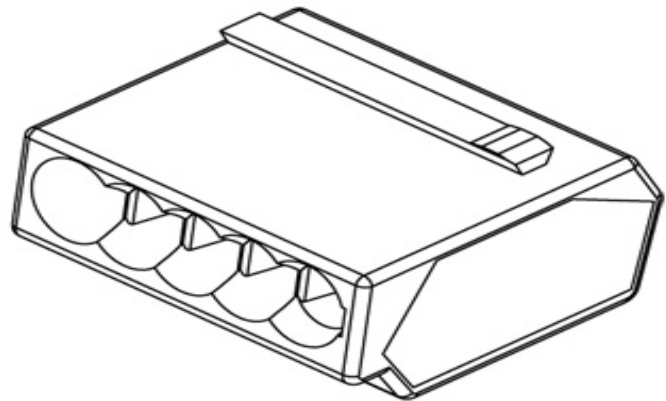
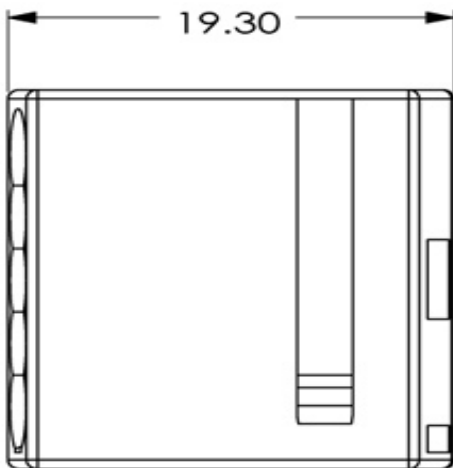
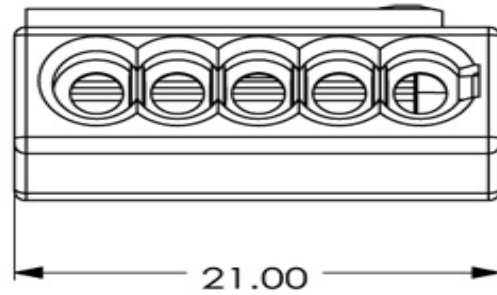
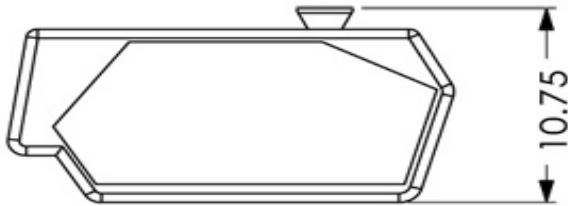




Technical Specification

Voltage:	450V	Material	
Curent	24A	Housing:	Polycarbonate(V2)
wire Size:	0,5-2,5 rigid		Polypropylene (V2)
UL-wire Size:	AWG 20-14 Solid/Strang	Terminal Body:	Steel, Bass
Temperature Range:	-40°C to + 110°C		Stainless Steel
		Finish	Tin-Plated

Approvals



Ordering Information

Serie	No. of Pos.	Color	ROHS	Packing		
A16006	5	TC	R	B1		

5= 5Pos.	RD=Red	N= non ROHS R= ROHS	B1= Bulk-Ware 100PCS
	OR=Orange		
	YE= Yellow		
	GN= Green		
	BL=Blue		
	GY= Gray		
	BK=Black		B5= Bulk-Ware 500PCS
	TC= Transparency		B10= Bulk-Ware 1000PCS

Push - In- Wire Connector	
Part No.:	A16006
Customer:	

DRW:	Jason	CHKD	Wilson	MATL:	Wilson	DATE	21.11.2016
APPD:	Schumi			FINISH	Jamy	Sheet	1 from 1