

# EDCON-COMPONENTS



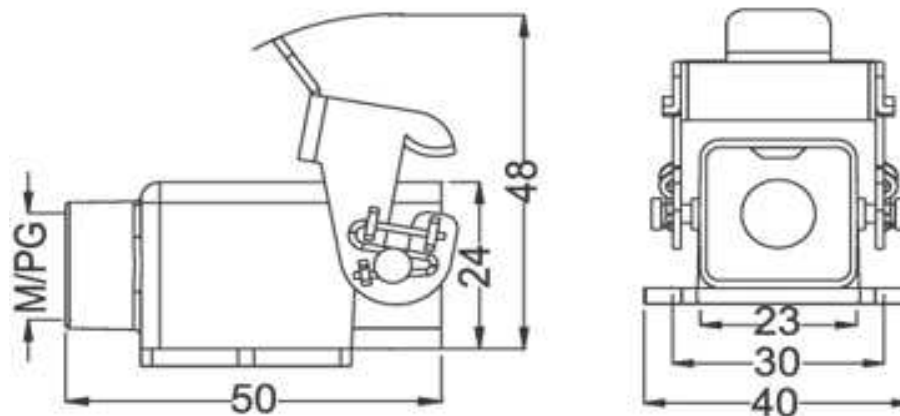
**Contact**



## SPECIFICATION:

Materials: Die-casting aluminium alloy  
 Color: Alloy  
 Interlocking Components: Stainless stell or galvanized steel button  
 Galvanized Steel: IP65  
 Temperatur Range: -40°C to +125°C  
 Flammability acc: VO (UL94)

## Technical Drawing



**Heavy Connector Hood  
 Serie HQ-005**

Part No.: **0958005**

DRW:	Jason	CHKD	Wilson	MATL:	Wilson	TOLERANCE	Mason	DATE	01.08.2009
APPD:	Schumi			FINISH	Jamy		Sheet No.	1 from 2	

Customer:

# EDCON-COMPONENTS



**Contact**



## Ordering Informations

Serie	Thread Type	Size of Thread	ROHS	Packing						
<b>0958005</b>	<b>M</b>	<b>20</b>	<b>R</b>	<b>CA</b>						

<b>M= M-Thread</b>	<b>20= M20</b>	<b>R= ROHS Conform</b>	<b>CA= Carton</b>						
<b>P= PG Thread</b>	<b>11= PG11</b>	<b>N= NON ROHS Conform</b>							

<b>Heavy Connector Hood Serie HQ-005</b>
Part No.: <b>0958005</b>
Customer:

DRW:	Jason	CHKD	Wilson	MATL:	Wilson	TOLERANCE	Mason	DATE	02.02.2008
APPD:	Schumi			FINISH	Jamy			Sheet No.	2 from 2