

EDCON-COMPONENTS



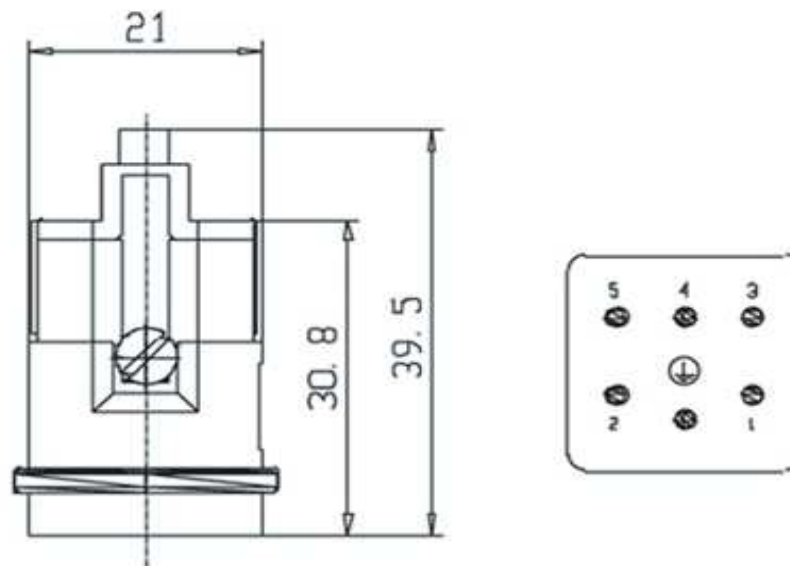
Contact



SPECIFICATION:

Working Current: 16A
 Working Voltage: 230/400V
 Rated Impulse Voltage: 4KV
 Isolation Resistance: > 1010 Ohm
 Temperature Range: -40°C to + 125°C
 Flammability acc. VO (UL94)
 Cable Mounting: Crimp

Technical Drawing



Heavy Connector Serie HQ-005

Part No.: **0958002**

DRW:	Jason	CHKD	Wilson	MATL:	Wilson	TOLERANCE	Mason	DATE	01.08.2009
APPD:	Schumi			FINISH	Jamy		Sheet No.	1 from 2	Customer:

www.edcon-components.com

email: info@edcon-components.com

EDCON-COMPONENTS



Contact



Ordering Informations

Serie	Pos	Connecting	ROHS	Packing						
0958002	5	M	R	CA						

5= 5Pos.	M= Male	R= ROHS Conform	CA= Carton						
		N= NON ROHS Conform							

Heavy Connector Serie HQ-005
Part No.: 0958002
Customer:

DRW:	Jason	CHKD	Wilson	MATL:	Wilson	TOLERANCE	Mason	DATE	02.02.2008
APPD:	Schumi			FINISH	Jamy		Sheet No.		2 from 2