

EDCON-COMPONENTS



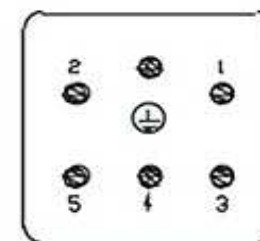
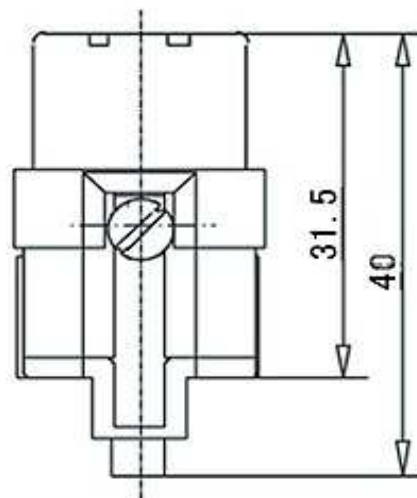
Contact



SPECIFICATION:

Working Current: 16A
 Working Voltage: 230/400V
 Rated Impulse Voltage: 4KV
 Isolation Resistance: > 1010 Ohm
 Temperature Range: -40°C to + 125°C
 Flammability acc. VO (UL94)
 Cable Mounting: Crimp

Technical Drawing



Heavy Connector Serie HQ-005

Part No.: **0958001**

DRW:	Jason	CHKD	Wilson	MATL:	Wilson	TOLERANCE	Mason	DATE	01.08.2009
APPD:	Schumi			FINISH	Jamy		Sheet No.	1 from 2	

Customer:

EDCON-COMPONENTS



Contact



Ordering Informations

Serie	Pos	Connecting	ROHS	Packing						
0958001	5	F	R	CA						

5= 5Pos.	F= Female	R= ROHS Conform	CA= Carton						
		N= NON ROHS Conform							

Heavy Connector Serie HQ-005	
Part No.:	0958001
Customer:	

DRW:	Jason	CHKD	Wilson	MATL:	Wilson	TOLERANCE	Mason	DATE	02.02.2008
APPD:	Schumi			FINISH	Jamy		Sheet No.		2 from 2