

# EDCON-COMPONENTS



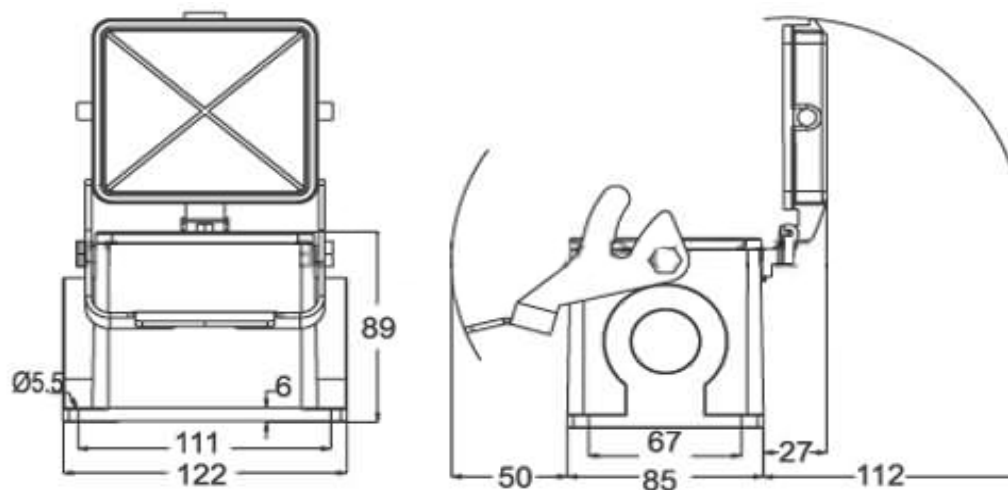
**Contact**



## SPECIFICATION:

Materials:	Die-casting aluminium alloy
Color:	Alloy
Interlocking Components:	Stainless steel or galvanized steel button
Galvanized Steel:	IP65
Temperatur Range:	.-40°C to +125°C
Flammability acc:	VO (UL94)
Cable Entry:	both side
Lever:	one lever

## Technical Drawing



**Heavy Connector Serie  
HDD-144**

Part No.: **0945010**

DRW:	Jason	CHKD	Wilson	MATL:	Wilson	TOLERANCE	Mason	DATE	16.08.2010
APPD:	Schumi			FINISH	Jamy		Sheet No.	1 from 2	Customer:

[www.edcon-components.com](http://www.edcon-components.com)

email: [info@edcon-components.com](mailto:info@edcon-components.com)

# EDCON-COMPONENTS



**Contact**



## Ordering Informations

Serie	Thread Type	Size of Thread	ROHS	Packing						
<b>0945010</b>	<b>X</b>	<b>XX</b>	<b>R</b>	<b>CA</b>						

		<b>R= ROHS Conform</b>	<b>CA= Carton</b>				
<b>M= M-Thread</b>	<b>32 = M32</b>	<b>N= NON ROHS Conform</b>					
<b>P= PG Thread</b>	<b>232 = 2xM32</b>						
	<b>40 = M40</b>						
	<b>240 = 2xM40</b>						
	<b>29 = PG29</b>						
	<b>229 = 2xPG29</b>						
	<b>36 = PG36</b>						
	<b>236 = 2xPG36</b>						
	<b>42 = PG42</b>						

<b>Heavy Connector Serie HDD-144</b>
Part No.: <b>0945010</b>
Customer:

DRW:	Jason	CHKD	Wilson	MATL:	Wilson	TOLERANCE	Mason	DATE	16.08.2010
APPD:	Schumi			FINISH	Jamy		Sheet No.		2 from 2