

EDCON-COMPONENTS



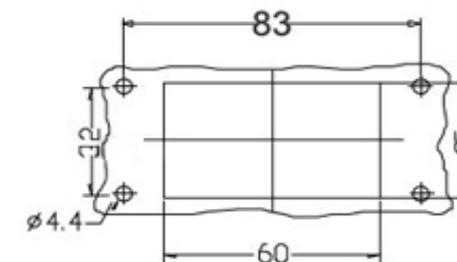
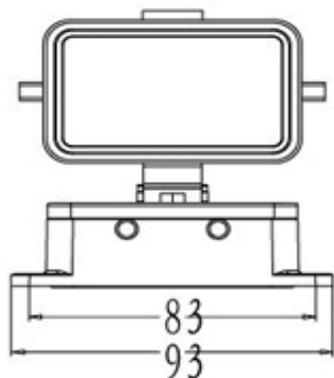
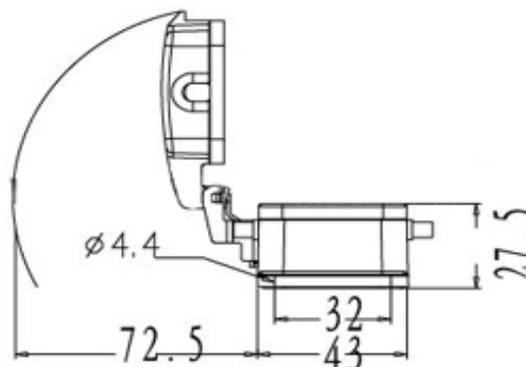
Contact



SPECIFICATION:

Materials: Die-casting aluminium alloy
 Color: Alloy
 Interlocking Components: Stainless steel or galvanized steel button
 Galvanized Steel: IP65
 Temperatur Range: -40°C to +125°C
 Flammability acc: VO (UL94)
 Cable Entry: panel side
 Lever: no lever

Technical Drawing



Panel cut out

**Heavy Connector Serie
HDD-42**

Part No.: **0942014**

DRW:	Jason	CHKD	Wilson	MATL:	Wilson	TOLERANCE	Mason	DATE	16.08.2010
APPD:	Schumi			FINISH	Jamy		Sheet No.	1 from 2	Customer:

www.edcon-components.com

email: info@edcon-components.com

EDCON-COMPONENTS



Contact



Ordering Informations

Serie	Thread Type	Size of Thread	ROHS	Packing						
0942014	X	XX	R	CA						

X= No function	XX= No function	R= ROHS Conform	CA= Carton						
		N= NON ROHS Conform							

Heavy Connector Serie HDD-42	
Part No.:	0942014
Customer:	

DRW:	Jason	CHKD	Wilson	MATL:	Wilson	TOLERANCE	Mason	DATE	16.08.2010
APPD:	Schumi			FINISH	Jamy			Sheet No.	2 from 2