

# EDCON-COMPONENTS



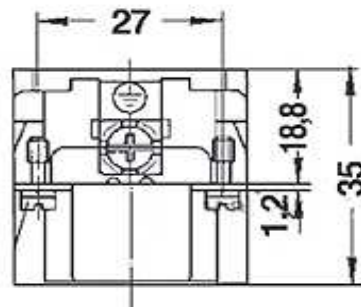
**Contact**



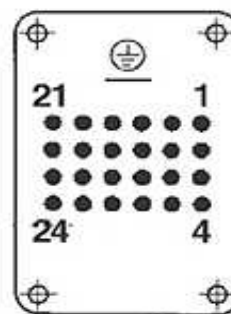
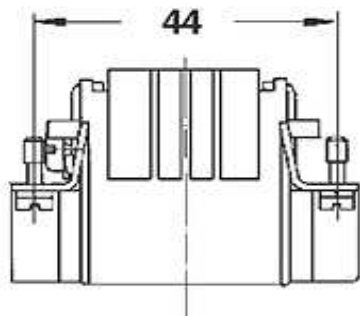
## SPECIFICATION:

Working Current:	10A
Working Voltage:	250V
Rated Impulse Voltage:	4KV
Isolation Resistance:	> 1010 Ohm
Temperature Range:	.-40°C to + 125°C
Flammability acc.	VO ( UL94)
Cable Mounting:	Crimp

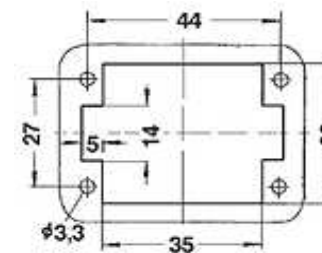
## Technical Drawing



Distance to contact max. 21mm



Contact arrangement view from termination side



Panel cut out

<b>Heavy Connector Serie HDD-024</b>
Part No.: <b>0941002</b>
Customer:

DRW:	Jason	CHKD	Wilson	MATL:	Wilson	TOLERANCE	Mason	DATE	10.08.2010
APPD:	Schumi			FINISH	Jamy		Sheet No.	1 from 2	

# EDCON-COMPONENTS



**Contact**



## Ordering Informations

Serie	Pos	Connecting	ROHS	Packing						
<b>0941002</b>	<b>24</b>	<b>M</b>	<b>R</b>	<b>CA</b>						

24= 24Pos.	M= Male	R= ROHS Conform	CA= Carton						
		N= NON ROHS Conform							

<b>Heavy Connector Serie HDD-024</b>
Part No.: <b>0941002</b>
Customer:

DRW:	Jason	CHKD	Wilson	MATL:	Wilson	TOLERANCE	Mason	DATE	10.08.2010
APPD:	Schumi			FINISH	Jamy		Sheet No.		2 from 2