

EDCON-COMPONENTS



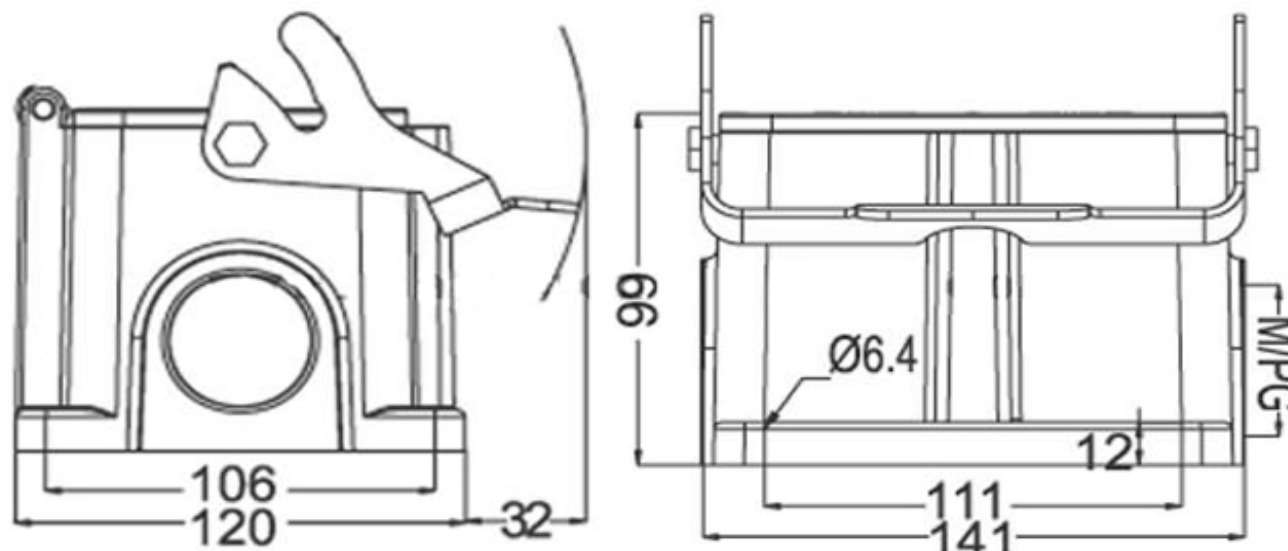
Contact



SPECIFICATION:

Materials:	Die-casting aluminium alloy
Color:	Alloy
Interlocking Components:	Stainless steel or galvanized steel button
Galvanized Steel:	IP65
Temperatur Range:	.-40°C to +125°C
Flammability acc:	VO (UL94)
Cable Entry:	both side
Lever:	One lever

Technical Drawing



Heavy Connector Serie HD-128

Part No.: **0937005**

DRW:	Jason	CHKD	Wilson	MATL:	Wilson	TOLERANCE	Mason	DATE	16.08.2010
APPD:	Schumi			FINISH	Jamy		Sheet No.	1 from 2	Customer:

www.edcon-components.com

email: info@edcon-components.com

EDCON-COMPONENTS



Contact



Ordering Informations

Serie	Thread Type	Size of Thread	ROHS	Packing						
0937005	X	XX	R	CA						

		R= ROHS Conform	CA= Carton				
M= M-Thread	232 = 2xM32	N= NON ROHS Conform					
P= PG Thread	40 = M40						
	240 = 2xM40						
	50 = M50						
	250 = 2xM50						
	29 = PG29						
	229 = 2xPG29						
	36 = PG36						
	236 = 2xPG36	242 = 2xPG42					

Heavy Connector Serie HD-128

Part No.: **0937005**

Customer:

DRW:	Jason	CHKD	Wilson	MATL:	Wilson	TOLERANCE	Mason	DATE	16.08.2010
APPD:	Schumi			FINISH	Jamy		Sheet No.		2 from 2