

EDCON-COMPONENTS



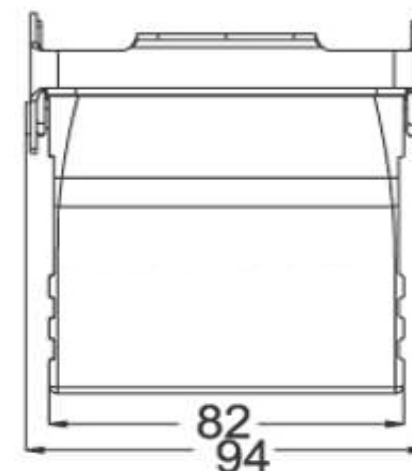
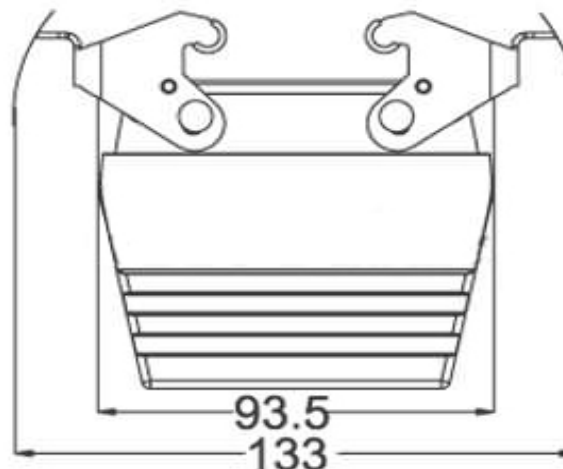
Contact



SPECIFICATION:

Materials: Die-casting aluminium alloy
 Color: Alloy
 Interlocking Components: Stainless steel or galvanized steel button
 Galvanized Steel: IP65
 Temperatur Range: -40°C to +125°C
 Flammability acc: VO (UL94)
 Cable Entry: on top side
 Lever: two lever

Technical Drawing



**Heavy Connector Hood
 Serie HD-080**

Part No.: **0936007**

DRW:	Jason	CHKD	Wilson	MATL:	Wilson	TOLERANCE	Mason	DATE	16.08.2010
APPD:	Schumi			FINISH	Jamy		Sheet No.	1 from 2	Customer:

www.edcon-components.com

email: info@edcon-components.com

EDCON-COMPONENTS



Contact



Ordering Informations

Serie	Thread Type	Size of Thread	ROHS	Packing						
0936007	X	XX	R	CA						

		R= ROHS Conform	CA= Carton				
M= M-Thread	32 = M32	N= NON ROHS Conform					
P= PG Thread	40 = M40						
	29 = PG29						
	36 = PG36						
	42 = PG42						

Heavy Connector Hood Serie HD-080
Part No.: 0936007
Customer:

DRW:	Jason	CHKD	Wilson	MATL:	Wilson	TOLERANCE	Mason	DATE	16.08.2010
APPD:	Schumi			FINISH	Jamy		Sheet No.		2 from 2