

# EDCON-COMPONENTS



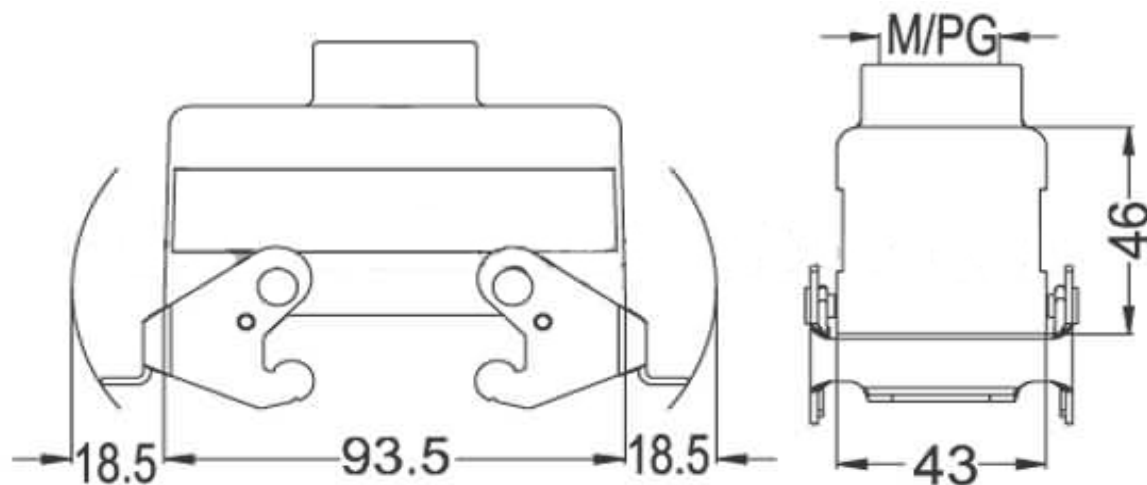
**Contact**



## SPECIFICATION:

|                          |  |
|--------------------------|--|
| Materials:               | Die-casting aluminium alloy                |
| Color:                   | Alloy                                      |
| Interlocking Components: | Stainless steel or galvanized steel button |
| Galvanized Steel:        | IP65                                       |
| Temperatur Range:        | .-40°C to +125°C                           |
| Flammability acc:        | VO (UL94)                                  |
| Cable Entry:             | on top side                                |
| Lever:                   | two lever                                  |

## Technical Drawing



**Heavy Connector Hood  
Serie HD-040**

Part No.: **0934003**

|       |        |      |        |        |        |           |           |          |            |
|-------|--------|------|--------|--------|--------|-----------|-----------|----------|------------|
| DRW:  | Jason  | CHKD | Wilson | MATL:  | Wilson | TOLERANCE | Mason     | DATE     | 16.08.2010 |
| APPD: | Schumi |      |        | FINISH | Jamy   |           | Sheet No. | 1 from 2 | Customer:  |

[www.edcon-components.com](http://www.edcon-components.com)

email: [info@edcon-components.com](mailto:info@edcon-components.com)

# EDCON-COMPONENTS



**Contact**



## Ordering Informations

|                |             |                |          |           |  |  |  |  |  |  |
|----------------|-------------|----------------|----------|-----------|--|--|--|--|--|--|
| Serie          | Thread Type | Size of Thread | ROHS     | Packing   |  |  |  |  |  |  |
| <b>0934003</b> | <b>X</b>    | <b>XX</b>      | <b>R</b> | <b>CA</b> |  |  |  |  |  |  |

|                     |                  |                            |                   |  |  |  |  |  |  |
|---------------------|------------------|----------------------------|-------------------|--|--|--|--|--|--|
|                     |                  | <b>R=</b> ROHS Conform     | <b>CA=</b> Carton |  |  |  |  |  |  |
| <b>M=</b> M-Thread  | <b>32 = M32</b>  | <b>N=</b> NON ROHS Conform |                   |  |  |  |  |  |  |
| <b>P=</b> PG Thread | <b>21 = PG21</b> |                            |                   |  |  |  |  |  |  |
|                     | <b>29 = PG29</b> |                            |                   |  |  |  |  |  |  |
|                     |                  |                            |                   |  |  |  |  |  |  |
|                     |                  |                            |                   |  |  |  |  |  |  |
|                     |                  |                            |                   |  |  |  |  |  |  |
|                     |                  |                            |                   |  |  |  |  |  |  |
|                     |                  |                            |                   |  |  |  |  |  |  |
|                     |                  |                            |                   |  |  |  |  |  |  |
|                     |                  |                            |                   |  |  |  |  |  |  |
|                     |                  |                            |                   |  |  |  |  |  |  |
|                     |                  |                            |                   |  |  |  |  |  |  |

|  |                |
|--|----------------|
| <b>Heavy Connector Hood<br/>Serie HD-040</b> |                |
| Part No.:                                    | <b>0934003</b> |
| Customer:                                    |                |

|       |        |      |        |        |        |           |           |      |            |
|-------|--------|------|--------|--------|--------|-----------|-----------|------|------------|
| DRW:  | Jason  | CHKD | Wilson | MATL:  | Wilson | TOLERANCE | Mason     | DATE | 16.08.2010 |
| APPD: | Schumi |      |        | FINISH | Jamy   |           | Sheet No. |      | 2 from 2   |