

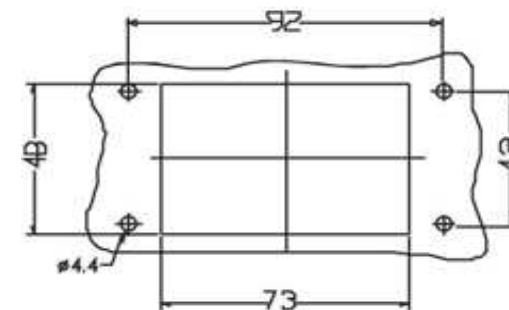
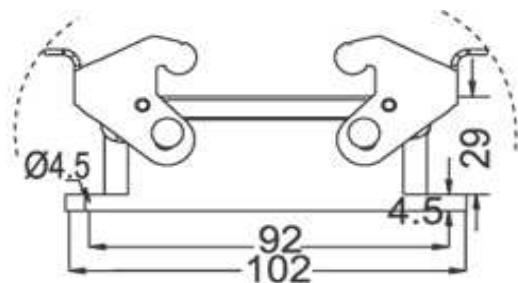
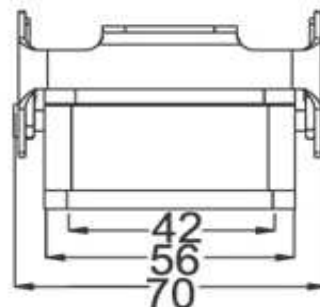
# EDCON-COMPONENTS



## SPECIFICATION:

|                          |  |
|--------------------------|--|
| Materials:               | Die-casting aluminium alloy                |
| Color:                   | Alloy                                      |
| Interlocking Components: | Stainless steel or galvanized steel button |
| Galvanized Steel:        | IP65                                       |
| Temperatur Range:        | .-40°C to +125°C                           |
| Flammability acc:        | VO (UL94)                                  |
| Cable Entry:             | on panel side                              |
| Lever:                   | two lever                                  |

## Technical Drawing



Panel cut out

**Heavy Connector Serie HD-050**

Part No.: **0933012**

|       |        |      |        |        |        |           |           |          |            |
|-------|--------|------|--------|--------|--------|-----------|-----------|----------|------------|
| DRW:  | Jason  | CHKD | Wilson | MATL:  | Wilson | TOLERANCE | Mason     | DATE     | 16.08.2010 |
| APPD: | Schumi |      |        | FINISH | Jamy   |           | Sheet No. | 1 from 2 | Customer:  |

[www.edcon-components.com](http://www.edcon-components.com)

email: [info@edcon-components.com](mailto:info@edcon-components.com)

# EDCON-COMPONENTS



**Contact**



## Ordering Informations

| Serie          | Thread Type | Size of Thread | ROHS     | Packing   |  |  |  |  |  |  |
|----------------|-------------|----------------|----------|-----------|--|--|--|--|--|--|
| <b>0933012</b> | <b>X</b>    | <b>XX</b>      | <b>R</b> | <b>CA</b> |  |  |  |  |  |  |

|                       |                        |                            |                   |  |  |  |  |  |  |
|-----------------------|------------------------|----------------------------|-------------------|--|--|--|--|--|--|
| <b>X=</b> No function | <b>XX=</b> No function | <b>R=</b> ROHS Conform     | <b>CA=</b> Carton |  |  |  |  |  |  |
|                       |                        | <b>N=</b> NON ROHS Conform |                   |  |  |  |  |  |  |
|                       |                        |                            |                   |  |  |  |  |  |  |
|                       |                        |                            |                   |  |  |  |  |  |  |
|                       |                        |                            |                   |  |  |  |  |  |  |
|                       |                        |                            |                   |  |  |  |  |  |  |
|                       |                        |                            |                   |  |  |  |  |  |  |
|                       |                        |                            |                   |  |  |  |  |  |  |
|                       |                        |                            |                   |  |  |  |  |  |  |
|                       |                        |                            |                   |  |  |  |  |  |  |
|                       |                        |                            |                   |  |  |  |  |  |  |
|                       |                        |                            |                   |  |  |  |  |  |  |
|                       |                        |                            |                   |  |  |  |  |  |  |
|                       |                        |                            |                   |  |  |  |  |  |  |
|                       |                        |                            |                   |  |  |  |  |  |  |
|                       |                        |                            |                   |  |  |  |  |  |  |
|                       |                        |                            |                   |  |  |  |  |  |  |
|                       |                        |                            |                   |  |  |  |  |  |  |
|                       |                        |                            |                   |  |  |  |  |  |  |
|                       |                        |                            |                   |  |  |  |  |  |  |

|                                     |
|-------------------------------------|
| <b>Heavy Connector Serie HD-050</b> |
| Part No.: <b>0933012</b>            |
| Customer:                           |

|       |        |      |        |        |        |           |           |      |            |
|-------|--------|------|--------|--------|--------|-----------|-----------|------|------------|
| DRW:  | Jason  | CHKD | Wilson | MATL:  | Wilson | TOLERANCE | Mason     | DATE | 16.08.2010 |
| APPD: | Schumi |      |        | FINISH | Jamy   |           | Sheet No. |      | 2 from 2   |