

EDCON-COMPONENTS



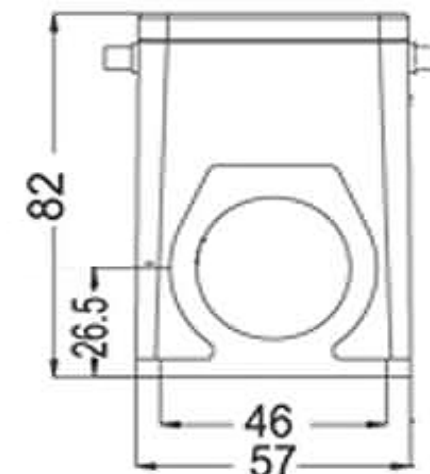
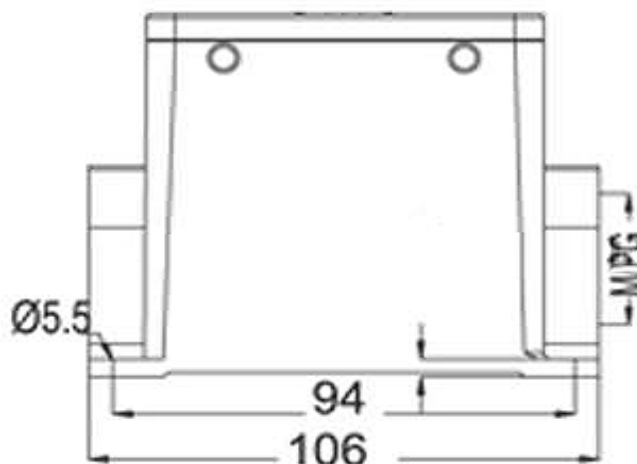
Contact



SPECIFICATION:

Materials: Die-casting aluminium alloy
 Color: Alloy
 Interlocking Components: Stainless steel or galvanized steel button
 Galvanized Steel: IP65
 Temperatur Range: -40°C to +125°C
 Flammability acc: VO (UL94)
 Cable Entry: both side
 Lever: no lever

Technical Drawing



Heavy Connector Serie HD-050

Part No.: **0933009**

DRW:	Jason	CHKD	Wilson	MATL:	Wilson	TOLERANCE	Mason	DATE	16.08.2010
APPD:	Schumi			FINISH	Jamy		Sheet No.	1 from 2	Customer:

www.edcon-components.com

email: info@edcon-components.com

EDCON-COMPONENTS



Contact



Ordering Informations

Serie	Thread Type	Size of Thread	ROHS	Packing						
0933009	X	XX	R	CA						

		R= ROHS Conform	CA= Carton						
M= M-Thread	25 = M25	N= NON ROHS Conform							
P= PG Thread	32 = M32								
	232 = 2xM32								
	21 = PG21								
	221 = 2xPG21								
	29 = PG29								
	229 = 2xPG29								

Heavy Connector Serie HD-050

Part No.: **0933009**

Customer:

DRW:	Jason	CHKD	Wilson	MATL:	Wilson	TOLERANCE	Mason	DATE	16.08.2010
APPD:	Schumi			FINISH	Jamy		Sheet No.		2 from 2