

EDCON-COMPONENTS



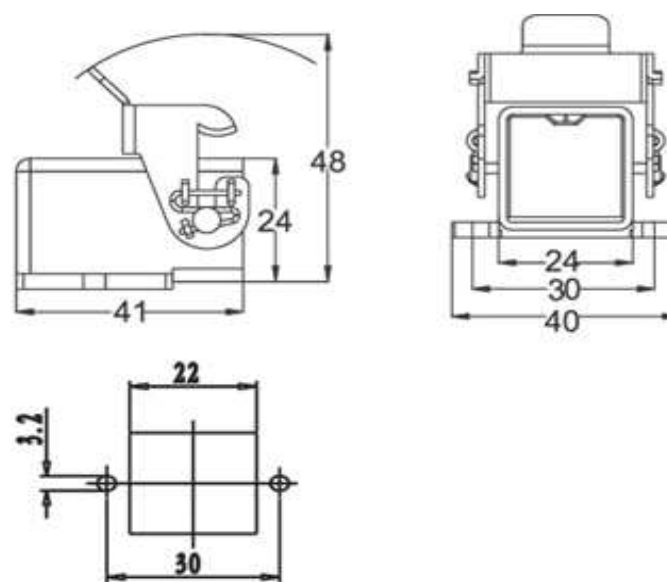
Contact



SPECIFICATION:

| | |
|--------------------------|--|
| Materials: | Die-casting aluminium alloy |
| Color: | Alloy |
| Interlocking Components: | Stainless steel or galvanized steel button |
| Galvanized Steel: | IP65 |
| Temperatur Range: | .-40°C to +125°C |
| Flammability acc: | VO (UL94) |
| Cable Entry: | on panel side |
| Lever: | one lever |

Technical Drawing



Panel cut out

Heavy Connector Serie HD-007

Part No.: **0929006**

| | | | | | | | | | |
|-------|--------|------|--------|--------|--------|-----------|-----------|----------|------------|
| DRW: | Jason | CHKD | Wilson | MATL: | Wilson | TOLERANCE | Mason | DATE | 16.08.2010 |
| APPD: | Schumi | | | FINISH | Jamy | | Sheet No. | 1 from 2 | Customer: |

www.edcon-components.com

email: info@edcon-components.com

EDCON-COMPONENTS



Contact



Ordering Informations

| Serie | Thread Type | Size of Thread | ROHS | Packing | | | | | | |
|----------------|-------------|----------------|----------|-----------|--|--|--|--|--|--|
| 0929006 | X | XX | R | CA | | | | | | |

| | | | | | | | | | |
|-----------------------|------------------------|----------------------------|-------------------|--|--|--|--|--|--|
| X= No function | XX= No function | R= ROHS Conform | CA= Carton | | | | | | |
| | | N= NON ROHS Conform | | | | | | | |
| | | | | | | | | | |
| | | | | | | | | | |
| | | | | | | | | | |
| | | | | | | | | | |
| | | | | | | | | | |
| | | | | | | | | | |
| | | | | | | | | | |
| | | | | | | | | | |

| | |
|-------------------------------------|----------------|
| Heavy Connector Serie HD-007 | |
| Part No.: | 0929006 |
| Customer: | |

| | | | | | | | | | |
|-------|--------|------|--------|--------|--------|-----------|-------|-----------|------------|
| DRW: | Jason | CHKD | Wilson | MATL: | Wilson | TOLERANCE | Mason | DATE | 16.08.2010 |
| APPD: | Schumi | | | FINISH | Jamy | | | Sheet No. | 2 from 2 |