

# EDCON-COMPONENTS



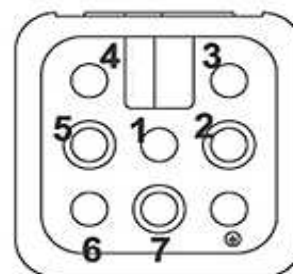
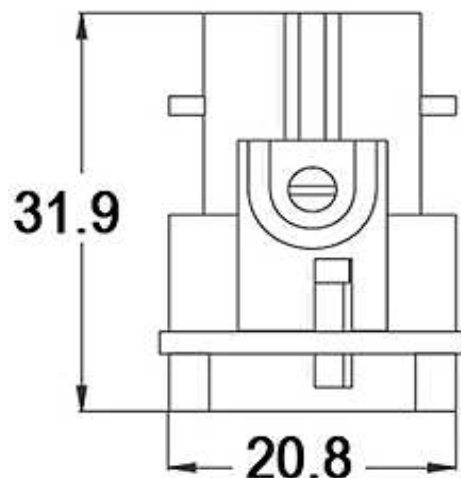
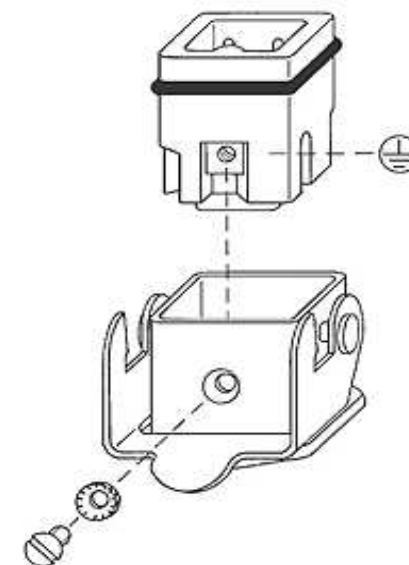
**Contact**



## SPECIFICATION:

Working Current:	10A
Working Voltage:	250V
Rated Impulse Voltage:	4KV
Isolation Resistance:	> 1010 Ohm
Temperature Range:	.-40°C to + 125°C
Flammability acc.	VO ( UL94)
Cable Mounting:	Crimp

## Technical Drawing



Contact arrangement view from termination side

<b>Heavy Connector Serie HD-007</b>	
Part No.:	<b>0929002</b>
Customer:	

DRW:	Jason	CHKD	Wilson	MATL:	Wilson	TOLERANCE	Mason	DATE	10.08.2010
APPD:	Schumi			FINISH	Jamy		Sheet No.		1 from 2

# EDCON-COMPONENTS



**Contact**



## Ordering Informations

Serie	Pos	Connecting	ROHS	Packing						
<b>0929002</b>	<b>7</b>	<b>M</b>	<b>R</b>	<b>CA</b>						

<b>7= 7Pos.</b>	<b>M= Male</b>	<b>R= ROHS Conform</b>	<b>CA= Carton</b>						
		<b>N= NON ROHS Conform</b>							

<b>Heavy Connector Serie HD-007</b>	
Part No.:	<b>0929002</b>
Customer:	

DRW:	Jason	CHKD	Wilson	MATL:	Wilson	TOLERANCE	Mason	DATE	10.08.2010
APPD:	Schumi			FINISH	Jamy		Sheet No.		2 from 2