

EDCON-COMPONENTS



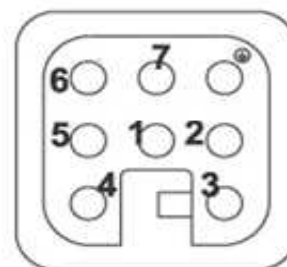
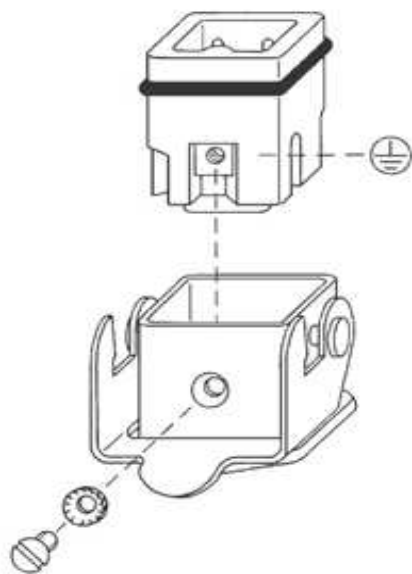
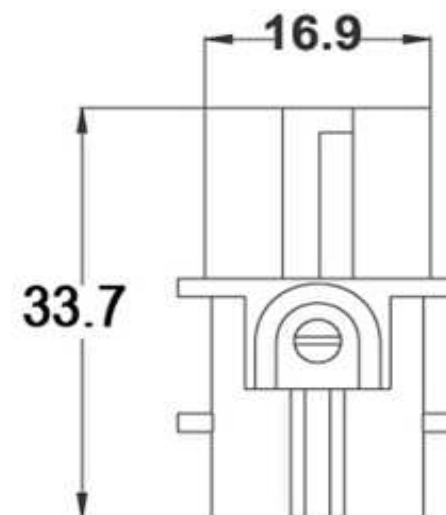
Contact



SPECIFICATION:

Working Current:	10A
Working Voltage:	250V
Rated Impulse Voltage:	4KV
Isolation Resistance:	> 1010 Ohm
Temperature Range:	.-40°C to + 125°C
Flammability acc.	VO (UL94)
Cable Mounting:	Crimp

Technical Drawing



Contact arrangement view from termination side

Heavy Connector Serie HD-007

Part No.: **0929001**

DRW:	Jason	CHKD	Wilson	MATL:	Wilson	TOLERANCE	Mason	DATE	10.08.2010
APPD:	Schumi			FINISH	Jamy		Sheet No.		1 from 2

Customer:

EDCON-COMPONENTS



Contact



Ordering Informations

Serie	Pos	Connecting	ROHS	Packing						
0929001	7	F	R	CA						

7= 7Pos.	F= Female	R= ROHS Conform	CA= Carton						
		N= NON ROHS Conform							

Heavy Connector Serie HD-007	
Part No.:	0929001
Customer:	

DRW:	Jason	CHKD	Wilson	MATL:	Wilson	TOLERANCE	Mason	DATE	10.08.2010
APPD:	Schumi			FINISH	Jamy		Sheet No.		2 from 2