

EDCON-COMPONENTS



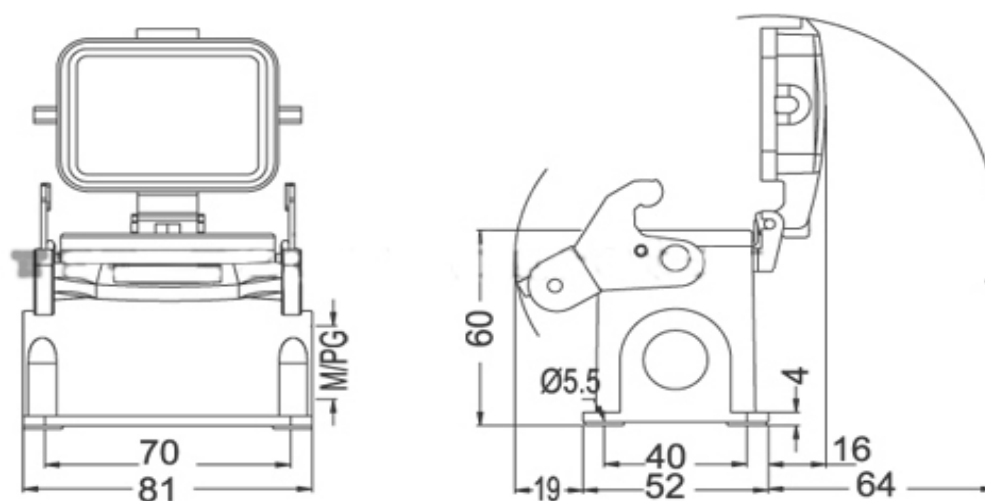
Contact



SPECIFICATION:

Materials: Die-casting aluminium alloy
 Color: Alloy
 Interlocking Components: Stainless steel or galvanized steel button
 Galvanized Steel: IP65
 Temperatur Range: -40°C to +125°C
 Flammability acc: VO (UL94)
 Cable Entry: both side
 Lever: one lever

Technical Drawing



**Heavy Connector Serie
HEE-010**

Part No.: **0923008**

DRW:	Jason	CHKD	Wilson	MATL:	Wilson	TOLERANCE	Mason	DATE	16.08.2010	Customer:
APPD:	Schumi			FINISH	Jamy		Sheet No.	1 from 2		

www.edcon-components.com

email: info@edcon-components.com

EDCON-COMPONENTS



Contact



Ordering Informations

Serie	Thread Type	Size of Thread	ROHS	Packing						
0923008	X	XX	R	CA						

		R= ROHS Conform	CA= Carton				
M= M-Thread	20 = M20	N= NON ROHS Conform					
P= PG Thread	220 = 2xM20						
	25 = M25						
	225 = 2xM25						
	16= PG16						
	216= 2xPG16						

Heavy Connector Serie
HEE-010
Part No.: 0923008
Customer:

DRW:	Jason	CHKD	Wilson	MATL:	Wilson	TOLERANCE	Mason	DATE	16.08.2010
APPD:	Schumi			FINISH	Jamy		Sheet No.		2 from 2