

# EDCON-COMPONENTS



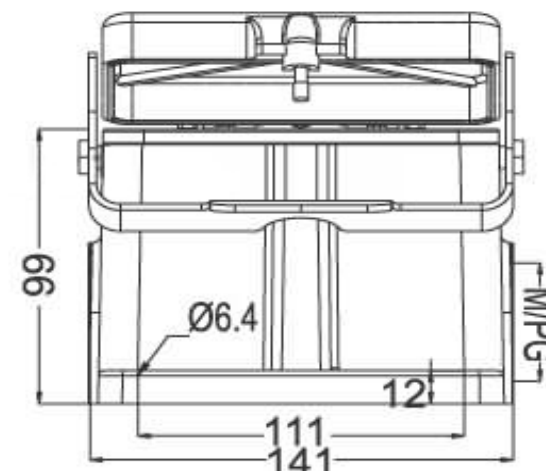
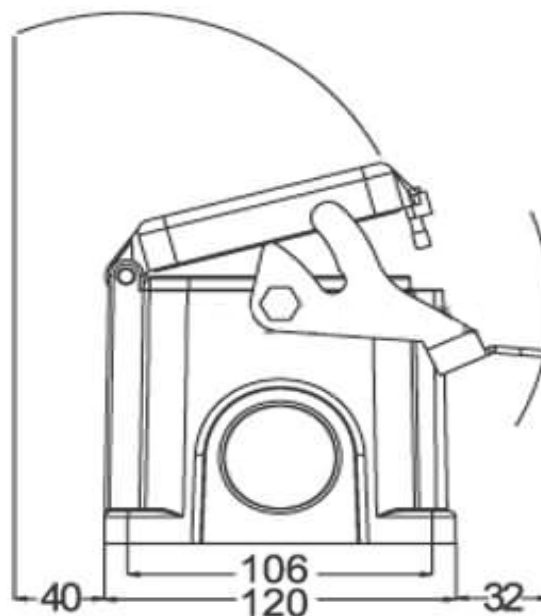
**Contact**



## SPECIFICATION:

Materials:	Die-casting aluminium alloy
Color:	Alloy
Interlocking Components:	Stainless stell or galvanized steel button
Galvanized Steel:	IP65
Temperatur Range:	.-40°C to +125°C
Flammability acc:	VO (UL94)
Cable Entry:	on panel side
Lever:	one lever

## Technical Drawing



**Heavy Connector Hood Serie HE-048**

Part No.: **0922007**

Customer:

DRW:	Jason	CHKD	Wilson	MATL:	Wilson	TOLERANCE	Mason	DATE	16.08.2010
APPD:	Schumi			FINISH	Jamy		Sheet No.	1 from 2	

[www.edcon-components.com](http://www.edcon-components.com)

email: [info@edcon-components.com](mailto:info@edcon-components.com)

# EDCON-COMPONENTS



**Contact**



## Ordering Informations

Serie	Thread Type	Size of Thread	ROHS	Packing						
<b>0922007</b>	<b>X</b>	<b>XX</b>	<b>R</b>	<b>CA</b>						

		<b>R=</b> ROHS Conform	<b>CA=</b> Carton				
<b>M=</b> M-Thread	<b>232 = 2xM32</b>	<b>N=</b> NON ROHS Conform					
<b>P=</b> PG Thread	<b>40 = M40</b>						
	<b>240 =2xM40</b>						
	<b>50 = M50</b>						
	<b>250 =2xM50</b>						
	<b>29= PG29</b>						
	<b>229= 2xPG29</b>						
	<b>36= PG36</b>						
	<b>236= 2xPG36</b>	<b>242= 2xPG42</b>					

<b>Heavy Connector Hood Serie HE-048</b>	
Part No.:	<b>0922007</b>
Customer:	

DRW:	Jason	CHKD	Wilson	MATL:	Wilson	TOLERANCE	Mason	DATE	16.08.2010
APPD:	Schumi			FINISH	Jamy		Sheet No.		2 from 2