

EDCON-COMPONENTS



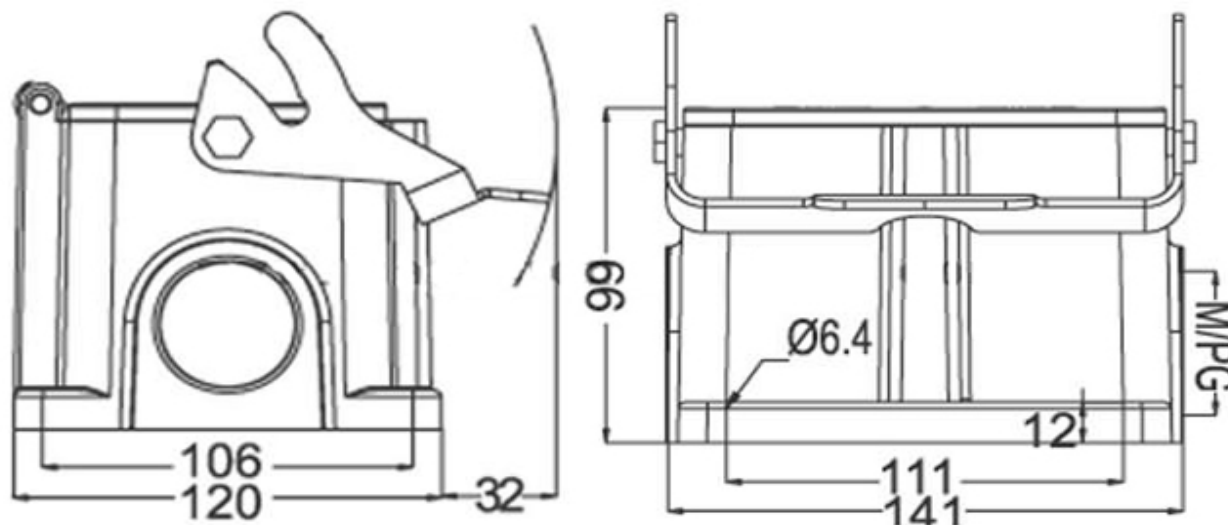
Contact



SPECIFICATION:

Materials:	Die-casting aluminium alloy
Color:	Alloy
Interlocking Components:	Stainless stell or galvanized steel button
Galvanized Steel:	IP65
Temperatur Range:	.-40°C to +125°C
Flammability acc:	VO (UL94)
Cable Entry:	on both side
Lever:	one lever

Technical Drawing



Heavy Connector Hood Serie HE-048

Part No.: **0922005**

DRW:	Jason	CHKD	Wilson	MATL:	Wilson	TOLERANCE	Mason	DATE	16.08.2010
APPD:	Schumi			FINISH	Jamy		Sheet No.	1 from 2	Customer:

www.edcon-components.com

email: info@edcon-components.com

EDCON-COMPONENTS



Contact



Ordering Informations

Serie	Thread Type	Size of Thread	ROHS	Packing						
0922005	X	XX	R	CA						

		R= ROHS Conform	CA= Carton						
M= M-Thread	232 = 2xM32	N= NON ROHS Conform							
P= PG Thread	40 = M40								
	240 =2xM40								
	50 = M50								
	250 =2xM50								
	29= PG29								
	229= 2xPG29								
	36= PG36								
	236= 2xPG36	242= 2xPG42							

Heavy Connector Hood Serie HE-048	
Part No.:	0922005
Customer:	

DRW:	Jason	CHKD	Wilson	MATL:	Wilson	TOLERANCE	Mason	DATE	16.08.2010
APPD:	Schumi			FINISH	Jamy		Sheet No.		2 from 2