

EDCON-COMPONENTS



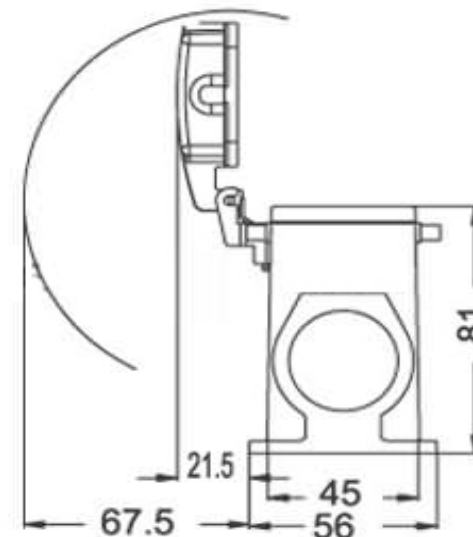
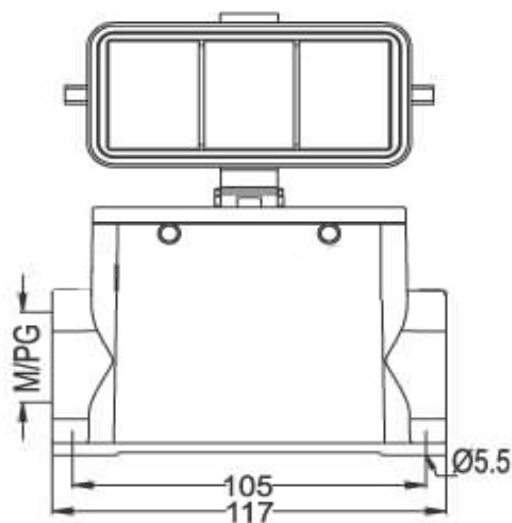
Contact



SPECIFICATION:

| | |
|--------------------------|--|
| Materials: | Die-casting aluminium alloy |
| Color: | Alloy |
| Interlocking Components: | Stainless stell or galvanized steel button |
| Galvanized Steel: | IP65 |
| Temperatur Range: | .-40°C to +125°C |
| Flammability acc: | VO (UL94) |
| Cable Entry: | both side |
| Lever: | no lever |

Technical Drawing



Heavy Connector Hood Serie HE-016

Part No.: **0919014**

| | | | | | | | | | |
|-------|--------|------|--------|--------|--------|-----------|-----------|----------|------------|
| DRW: | Jason | CHKD | Wilson | MATL: | Wilson | TOLERANCE | Mason | DATE | 16.08.2010 |
| APPD: | Schumi | | | FINISH | Jamy | | Sheet No. | 1 from 2 | Customer: |

www.edcon-components.com

email: info@edcon-components.com

EDCON-COMPONENTS



Contact



Ordering Informations

| Serie | Thread Type | Size of Thread | ROHS | Packing | | | | | | |
|----------------|-------------|----------------|----------|-----------|--|--|--|--|--|--|
| 0919014 | X | XX | R | CA | | | | | | |

| | | | | | | | |
|---------------------|--------------------|----------------------------|-------------------|--|--|--|--|
| | | R= ROHS Conform | CA= Carton | | | | |
| M= M-Thread | | N= NON ROHS Conform | | | | | |
| P= PG Thread | | | | | | | |
| | 25 = M25 | | | | | | |
| | 225 = 2xM25 | | | | | | |
| | 21= PG21 | | | | | | |
| | 221= 2xPG21 | | | | | | |
| | | | | | | | |
| | | | | | | | |
| | | | | | | | |

| | |
|--|----------------|
| Heavy Connector Hood Serie HE-016 | |
| Part No.: | 0919014 |
| Customer: | |

| | | | | | | | | | |
|-------|--------|------|--------|--------|--------|-----------|-----------|------|------------|
| DRW: | Jason | CHKD | Wilson | MATL: | Wilson | TOLERANCE | Mason | DATE | 16.08.2010 |
| APPD: | Schumi | | | FINISH | Jamy | | Sheet No. | | 2 from 2 |