

# EDCON-COMPONENTS



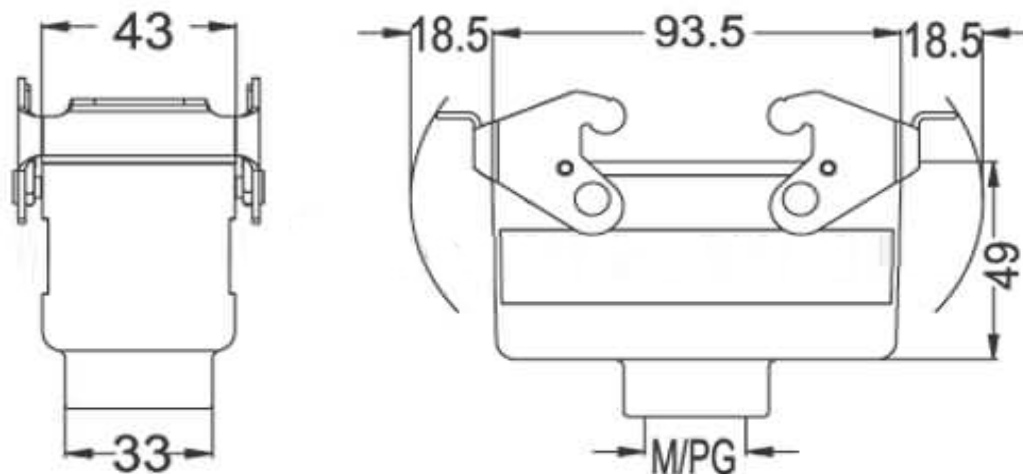
**Contact**



## SPECIFICATION:

Materials:	Die-casting aluminium alloy
Color:	Alloy
Interlocking Components:	Stainless stell or galvanized steel button
Galvanized Steel:	IP65
Temperatur Range:	.-40°C to +125°C
Flammability acc:	VO (UL94)
Cable Entry:	one top side
Lever:	two lever

## Technical Drawing



**Heavy Connector Hood Serie HE-016**

Part No.: **0919013**

DRW:	Jason	CHKD	Wilson	MATL:	Wilson	TOLERANCE	Mason	DATE	16.08.2010
APPD:	Schumi			FINISH	Jamy		Sheet No.	1 from 2	Customer:

[www.edcon-components.com](http://www.edcon-components.com)

email: [info@edcon-components.com](mailto:info@edcon-components.com)

# EDCON-COMPONENTS



**Contact**



## Ordering Informations

Serie	Thread Type	Size of Thread	ROHS	Packing						
<b>0919013</b>	<b>X</b>	<b>XX</b>	<b>R</b>	<b>CA</b>						

		<b>R= ROHS Conform</b>	<b>CA= Carton</b>						
<b>M= M-Thread</b>		<b>N= NON ROHS Conform</b>							
<b>P= PG Thread</b>									
	<b>25 = M25</b>								
	<b>21= PG21</b>								

<b>Heavy Connector Hood Serie HE-016</b>	
Part No.:	<b>0919013</b>
Customer:	

DRW:	Jason	CHKD	Wilson	MATL:	Wilson	TOLERANCE	Mason	DATE	16.08.2010
APPD:	Schumi			FINISH	Jamy		Sheet No.		2 from 2