

EDCON-COMPONENTS



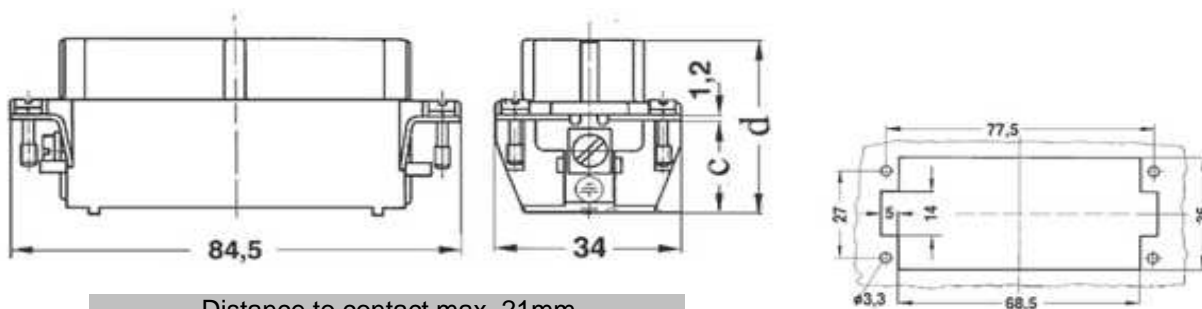
Contact



SPECIFICATION:

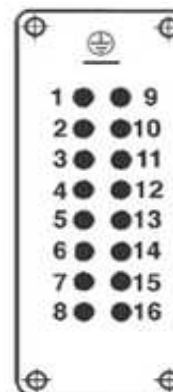
Working Current: 16A
 Working Voltage: 500V
 Rated Impulse Voltage: 6KV
 Isolation Resistance: > 1010 Ohm
 Temperature Range: -40°C to + 125°C
 Flammability acc. VO (UL94)

Technical Drawing



Panel Cutout

	a	b	c	d
M / F	18	33	18	35
MC / FC	19	34	19	36
MS / FS	19	34	19	36
MSS/FSS	34	49	32	49
Distance to contact max. 21mm				



Contact arrangement view from termination side

Heavy Connector Serie HE-016

Part No.: **0919001**

DRW:	Jason	CHKD	Wilson	MATL:	Wilson	TOLERANCE	Mason	DATE	16.08.2010	Customer:
APPD:	Schumi			FINISH	Jamy		Sheet No.	1 from 2		

EDCON-COMPONENTS



Contact



Ordering Informations

Serie	Pos	Connecting	ROHS	Packing						
0919001	16	F	R	CA						

16= 16Pos.	F= Female	R= ROHS Conform	CA= Carton						
		N= NON ROHS Conform							

Heavy Connector Serie HE-016	
Part No.:	0919001
Customer:	

DRW:	Jason	CHKD	Wilson	MATL:	Wilson	TOLERANCE	Mason	DATE	16.08.2010
APPD:	Schumi			FINISH	Jamy			Sheet No.	2 from 2