

EDCON-COMPONENTS



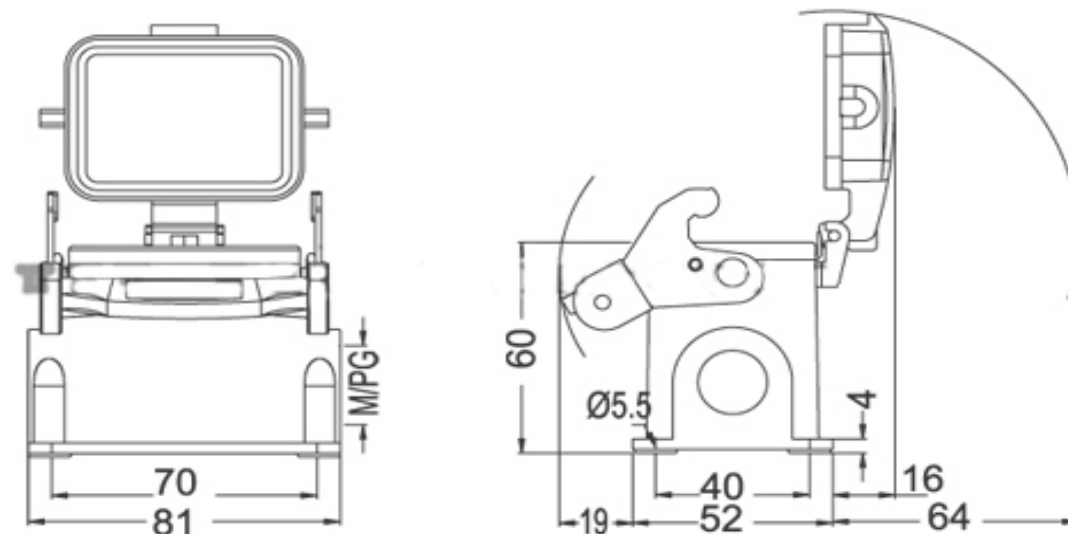
Contact



SPECIFICATION:

Materials:	Die-casting aluminium alloy
Color:	Alloy
Interlocking Components:	Stainless stell or galvanized steel button
Galvanized Steel:	IP65
Temperatur Range:	.-40°C to +125°C
Flammability acc:	VO (UL94)
Cable Entry:	on both side
Lever:	one lever

Technical Drawing



Heavy Connector Hood Serie HE-006

Part No.: **0918008**

DRW:	Jason	CHKD	Wilson	MATL:	Wilson	TOLERANCE	Mason	DATE	16.08.2010
APPD:	Schumi			FINISH	Jamy		Sheet No.	1 from 2	Customer:

www.edcon-components.com

email: info@edcon-components.com

EDCON-COMPONENTS



Contact



Ordering Informations

Serie	Thread Type	Size of Thread	ROHS	Packing						
0918008	M	20	R	CA						

		R= ROHS Conform	CA= Carton				
M= M-Thread	20 = M20	N= NON ROHS Conform					
P= PG Thread	25 = M25						
	220 = 2xM20						
	225 = 2xM25						
	16= PG16						
	216= 2xPG16						

Heavy Connector Hood Serie HE-006	
Part No.:	0918008
Customer:	

DRW:	Jason	CHKD	Wilson	MATL:	Wilson	TOLERANCE	Mason	DATE	16.08.2010
APPD:	Schumi			FINISH	Jamy			Sheet No.	2 from 2