

# EDCON-COMPONENTS



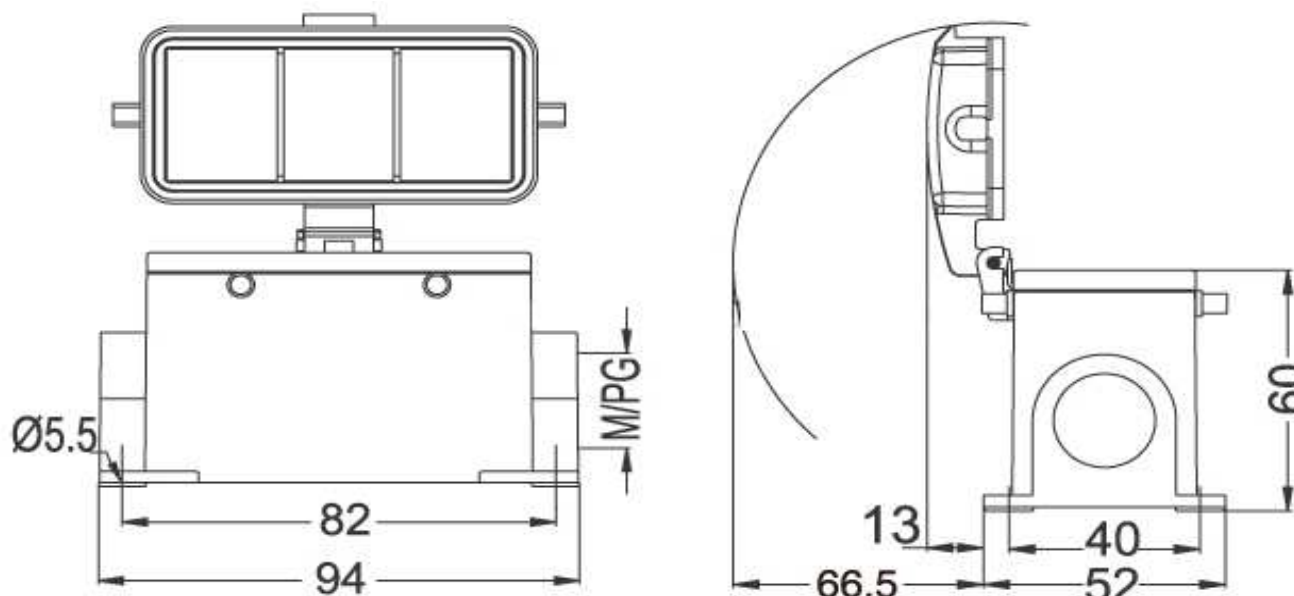
**Contact**



## SPECIFICATION:

Materials: Die-casting aluminium alloy  
 Color: Alloy  
 Interlocking Components: Stainless stell or galvanized steel button  
 Galvanized Steel: IP65  
 Temperatur Range: -40°C to +125°C  
 Flammability acc: VO (UL94)  
 Cable Entry: on both side  
 Lever: no lever

## Technical Drawing



**Heavy Connector Hood Serie HE-010**

Part No.: **0917013**

DRW:	Jason	CHKD	Wilson	MATL:	Wilson	TOLERANCE	Mason	DATE	16.08.2010	Customer:
APPD:	Schumi			FINISH	Jamy		Sheet No.	1 from 2		

[www.edcon-components.com](http://www.edcon-components.com)

email: [info@edcon-components.com](mailto:info@edcon-components.com)

# EDCON-COMPONENTS



**Contact**



## Ordering Informations

Serie	Thread Type	Size of Thread	ROHS	Packing						
<b>0917013</b>	<b>X</b>	<b>XX</b>	<b>R</b>	<b>CA</b>						

		<b>R= ROHS Conform</b>	<b>CA= Carton</b>				
<b>M= M-Thread</b>	<b>20 = M20</b>	<b>N= NON ROHS Conform</b>					
<b>P= PG Thread</b>	<b>25 = M25</b>						
	<b>220 = 2xM20</b>						
	<b>16= PG16</b>						
	<b>216= 2xPG16</b>						

<b>Heavy Connector Hood Serie HE-010</b>	
Part No.:	<b>0917013</b>
Customer:	

DRW:	Jason	CHKD	Wilson	MATL:	Wilson	TOLERANCE	Mason	DATE	16.08.2010
APPD:	Schumi			FINISH	Jamy		Sheet No.		2 from 2