

# EDCON-COMPONENTS



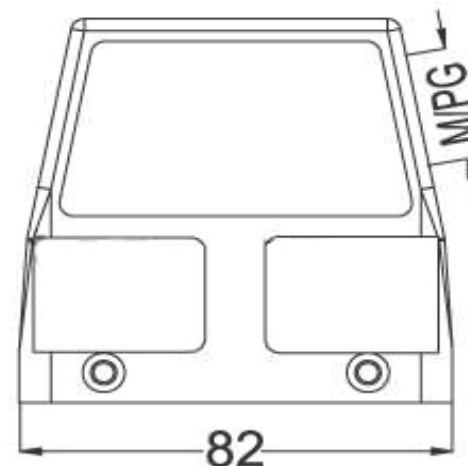
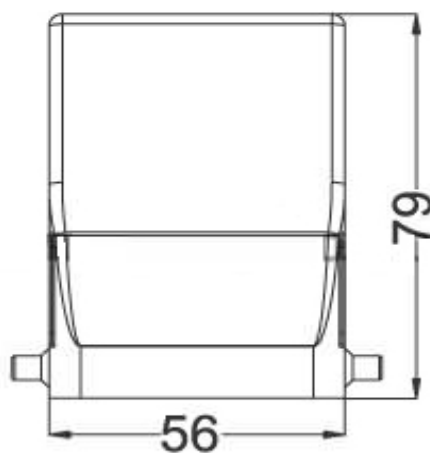
**Contact**



## SPECIFICATION:

Materials: Die-casting aluminium alloy  
 Color: Alloy  
 Interlocking Components: Stainless stell or galvanized steel button  
 Galvanized Steel: IP65  
 Temperatur Range: -40°C to +125°C  
 Flammability acc: VO (UL94)  
 Cable Entry: on top side  
 Lever: no lever

## Technical Drawing



**Heavy Connector Hood Serie HA-032**

Part No.: **0915006**

DRW:	Jason	CHKD	Wilson	MATL:	Wilson	TOLERANCE	Mason	DATE	16.08.2010
APPD:	Schumi			FINISH	Jamy		Sheet No.	1 from 2	Customer:

[www.edcon-components.com](http://www.edcon-components.com)

email: info@edcon-components.com

# EDCON-COMPONENTS



**Contact**



## Ordering Informations

Serie	Thread Type	Size of Thread	ROHS	Packing						
<b>0915006</b>	<b>M</b>	<b>32</b>	<b>R</b>	<b>CA</b>						

<b>M= M-Thread</b>		<b>R= ROHS Conform</b>	<b>CA= Carton</b>						
<b>P= PG Thread</b>	<b>32 = M32</b>	<b>N= NON ROHS Conform</b>							
	<b>21= PG21</b>								
	<b>29= PG29</b>								

<b>Heavy Connector Hood Serie HA</b>	
<b>032</b>	
Part No.:	<b>0915006</b>
Customer:	

DRW:	Jason	CHKD	Wilson	MATL:	Wilson	TOLERANCE	Mason	DATE	16.08.2010
APPD:	Schumi			FINISH	Jamy		Sheet No.		2 from 2