

# EDCON-COMPONENTS



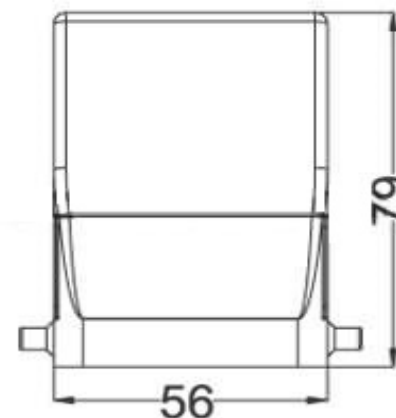
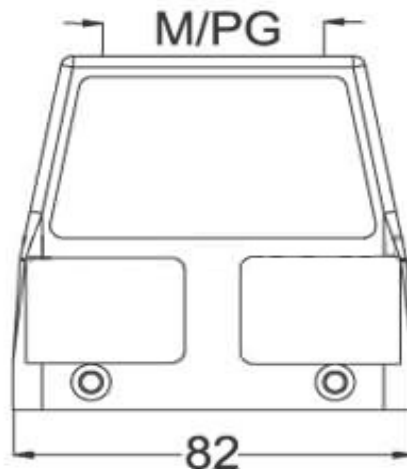
**Contact**



## SPECIFICATION:

Materials:	Die-casting aluminium alloy
Color:	Alloy
Interlocking Components:	Stainless stell or galvanized steel button
Galvanized Steel:	IP65
Temperatur Range:	.-40°C to +125°C
Flammability acc:	VO (UL94)
Cable Entry:	on top side
Lever:	no lever

## Technical Drawing



**Heavy Connector Hood Serie HA-032**

Part No.: **0915005**

Customer:

DRW:	Jason	CHKD	Wilson	MATL:	Wilson	TOLERANCE	Mason	DATE	16.08.2010
APPD:	Schumi			FINISH	Jamy		Sheet No.	1 from 2	

# EDCON-COMPONENTS



**Contact**



## Ordering Informations

Serie	Thread Type	Size of Thread	ROHS	Packing						
<b>0915005</b>	<b>M</b>	<b>32</b>	<b>R</b>	<b>CA</b>						

<b>M= M-Thread</b>	<b>25 = M25</b>	<b>R= ROHS Conform</b>	<b>CA= Carton</b>				
<b>P= PG Thread</b>	<b>32 = M32</b>	<b>N= NON ROHS Conform</b>					
	<b>21= PG21</b>						
	<b>29= PG29</b>						

<b>Heavy Connector Hood Serie HA</b>	
<b>032</b>	
Part No.:	<b>0915005</b>
Customer:	

DRW:	Jason	CHKD	Wilson	MATL:	Wilson	TOLERANCE	Mason	DATE	16.08.2010
APPD:	Schumi			FINISH	Jamy			Sheet No.	2 from 2