

EDCON-COMPONENTS



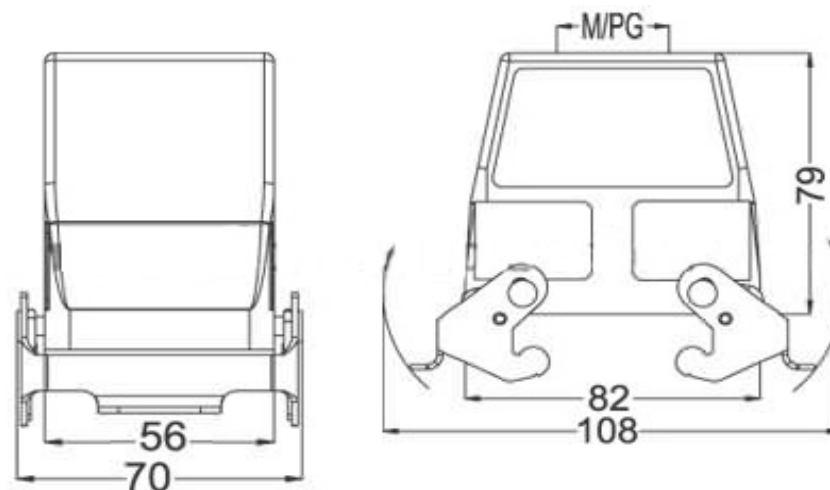
Contact



SPECIFICATION:

Materials: Die-casting aluminium alloy
 Color: Alloy
 Interlocking Components: Stainless stell or galvanized steel button
 Galvanized Steel: IP65
 Temperatur Range: -40°C to +125°C
 Flammability acc: VO (UL94)
 Cable Entry: on top side
 Lever: both side lever

Technical Drawing



Heavy Connector Hood Serie HA-032

Part No.: **0915005**

| | | | | | | | | | |
|-------|--------|------|--------|--------|--------|-----------|-----------|----------|------------|
| DRW: | Jason | CHKD | Wilson | MATL: | Wilson | TOLERANCE | Mason | DATE | 16.08.2010 |
| APPD: | Schumi | | | FINISH | Jamy | | Sheet No. | 1 from 2 | Customer: |

www.edcon-components.com

email: info@edcon-components.com

EDCON-COMPONENTS



Contact



Ordering Informations

| Serie | Thread Type | Size of Thread | ROHS | Packing | | | | | | |
|----------------|-------------|----------------|----------|-----------|--|--|--|--|--|--|
| 0915005 | M | 32 | R | CA | | | | | | |

| | | | | | | | |
|---------------------|-----------------|----------------------------|-------------------|--|--|--|--|
| M= M-Thread | 32 = M32 | R= ROHS Conform | CA= Carton | | | | |
| P= PG Thread | 21= PG21 | N= NON ROHS Conform | | | | | |
| | 29= PG29 | | | | | | |
| | | | | | | | |
| | | | | | | | |
| | | | | | | | |
| | | | | | | | |
| | | | | | | | |
| | | | | | | | |
| | | | | | | | |
| | | | | | | | |

| | |
|--|----------------|
| Heavy Connector Hood Serie HA-032 | |
| Part No.: | 0915005 |
| Customer: | |

| | | | | | | | | | |
|-------|--------|------|--------|--------|--------|-----------|-------|-----------|------------|
| DRW: | Jason | CHKD | Wilson | MATL: | Wilson | TOLERANCE | Mason | DATE | 16.08.2010 |
| APPD: | Schumi | | | FINISH | Jamy | | | Sheet No. | 2 from 2 |