

EDCON-COMPONENTS



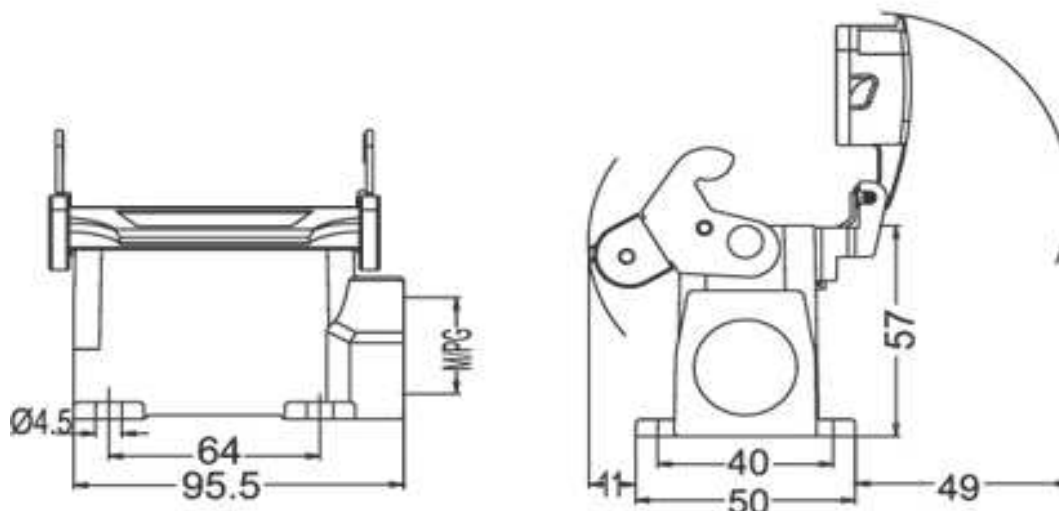
Contact



SPECIFICATION:

Materials: Die-casting aluminium alloy
 Color: Alloy
 Interlocking Components: Stainless stell or galvanized steel button
 Galvanized Steel: IP65
 Temperatur Range: -40°C to +125°C
 Flammability acc: VO (UL94)
 Cable Entry: one SIDE / One Lever

Technical Drawing



Heavy Connector Hood Serie 0914

Part No.: **0914007**

Customer:

DRW:	Jason	CHKD	Wilson	MATL:	Wilson	TOLERANCE	Mason	DATE	01.08.2009
APPD:	Schumi			FINISH	Jamy		Sheet No.	1 from 2	

www.edcon-components.com

email: info@edcon-components.com

EDCON-COMPONENTS



Contact



Ordering Informations

Serie	Thread Type	Size of Thread	ROHS	Packing						
0914007	M	20	R	CA						

M= M-Thread	20 = M20	R= ROHS Conform	CA= Carton				
P= PG Thread	25 = M25	N= NON ROHS Conform					
	16= PG16						
	21= PG21						

Heavy Connector Hood Serie 0914	
Part No.:	0914007
Customer:	

DRW:	Jason	CHKD	Wilson	MATL:	Wilson	TOLERANCE	Mason	DATE	02.02.2008
APPD:	Schumi			FINISH	Jamy		Sheet No.		2 from 2