

EDCON-COMPONENTS



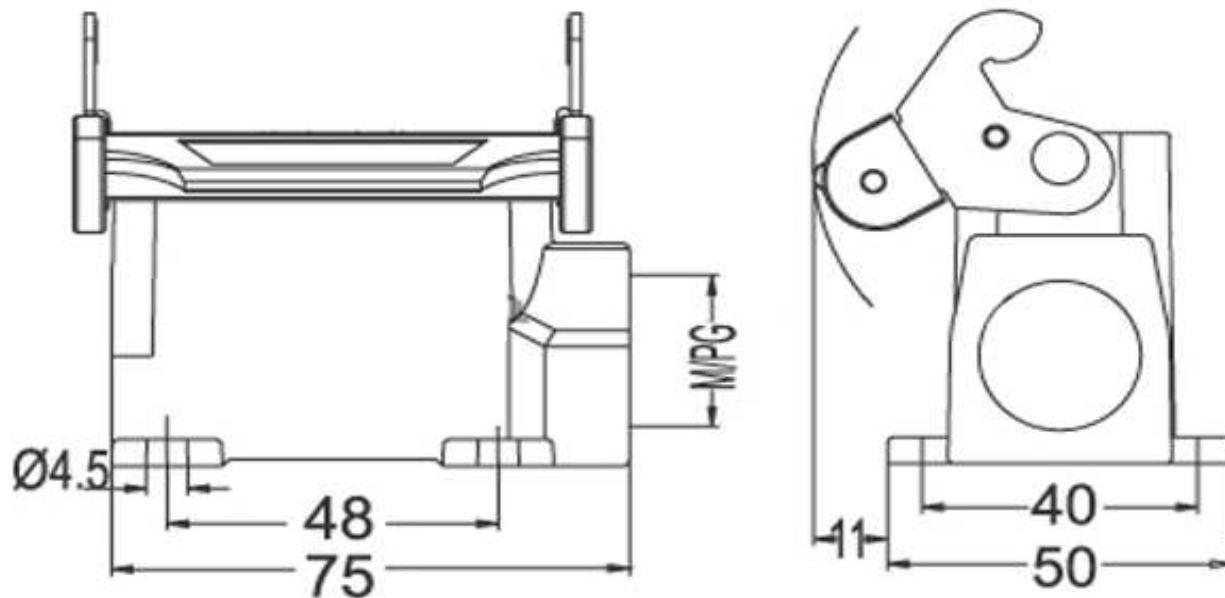
Contact



SPECIFICATION:

Materials:	Die-casting aluminium alloy
Color:	Alloy
Interlocking Components:	Stainless stell or galvanized steel button
Galvanized Steel:	IP65
Temperatur Range:	.-40°C to +125°C
Flammability acc:	VO (UL94)
Cable Entry:	one SIDE / One Lever

Technical Drawing



Heavy Connector Hood Serie 0913

Part No.: **0913007**

Customer:

DRW:	Jason	CHKD	Wilson	MATL:	Wilson	TOLERANCE	Mason	DATE	01.08.2009
APPD:	Schumi			FINISH	Jamy		Sheet No.		1 from 2

www.edcon-components.com

email: info@edcon-components.com

EDCON-COMPONENTS



Contact



Ordering Informations

Serie	Thread Type	Size of Thread	ROHS	Packing						
0913007	M	20	R	CA						

M= M-Thread	20 = M20	R= ROHS Conform	CA= Carton				
P= PG Thread	25 = M25	N= NON ROHS Conform					
	16= PG16						
	21= PG21						

Heavy Connector Hood Serie 0913	
Part No.:	0913007
Customer:	

DRW:	Jason	CHKD	Wilson	MATL:	Wilson	TOLERANCE	Mason	DATE	02.02.2008
APPD:	Schumi			FINISH	Jamy		Sheet No.		2 from 2