

# EDCON-COMPONENTS



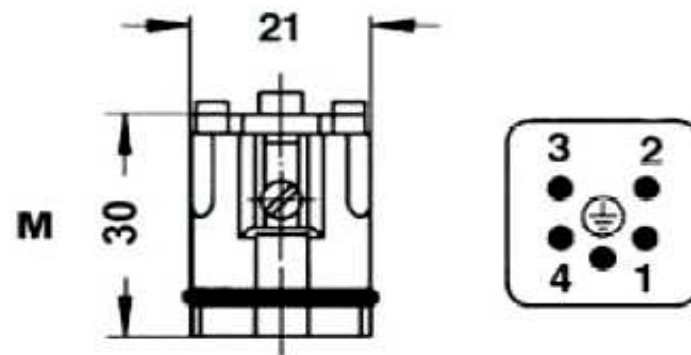
**Contact**



## SPECIFICATION:

Working Current: 10A  
 Working Voltage: 230/400V  
 Rated Impulse Voltage: 4KV  
 Isolation Resistance: > 1010 Ohm  
 Temperature Range: -40°C to + 125°C  
 Flammability acc.: VO ( UL94)  
 Contact Mounting: Screw

## Technical Drawing



Heavy Connector Serie 0912

Part No.: **0912002**

Customer:

DRW:	Jason	CHKD	Wilson	MATL:	Wilson	TOLERANCE	Mason	DATE	01.08.2009
APPD:	Schumi			FINISH	Jamy		Sheet No.	1 from 2	

# EDCON-COMPONENTS



**Contact**



## Ordering Informations

Serie	Pos	Connecting	ROHS	Packing						
<b>0912002</b>	<b>4</b>	<b>M</b>	<b>R</b>	<b>CA</b>						

<b>4= 4Pos.</b>	<b>M= Male</b>	<b>R= ROHS Conform</b>	<b>CA= Carton</b>						
		<b>N= NON ROHS Conform</b>							

Heavy Connector Serie 0912
Part No.: <b>0912002</b>
Customer:

DRW:	Jason	CHKD	Wilson	MATL:	Wilson	TOLERANCE	Mason	DATE	02.02.2008
APPD:	Schumi			FINISH	Jamy		Sheet No.		2 from 2