

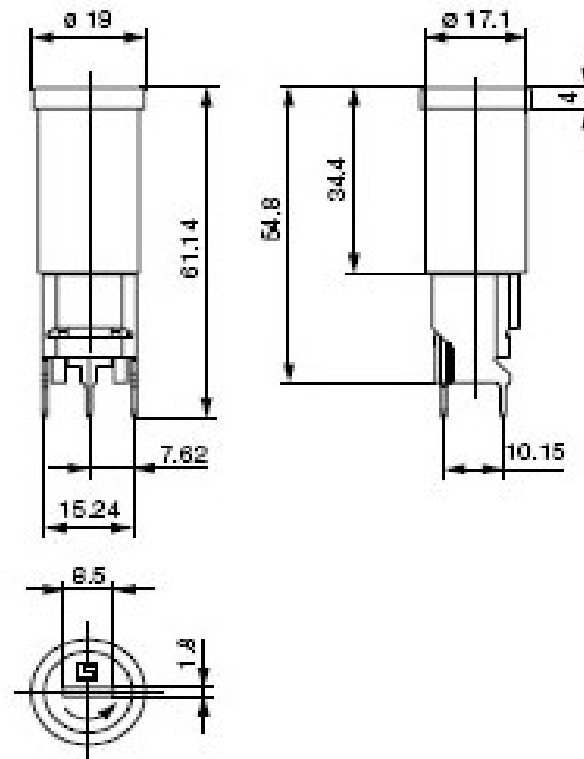
EDCON-COMPONENTS



Technical Discription

Type; Bajonett-Type
 Insulation Resistance: 10m Ω Min 500VDC
 Contact Resistance: 5mΩ @ 1A DC
 Dielectric Strength: AC 3000V for min. 60Sec.
 Rated Current: 16A
 Rated Voltage: 250VAC
 Fuse Type/Size: 5x20mm / 6,3x32mm
 Protection Degree: IP40

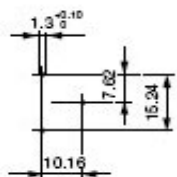
Drawing (mm)



Approvals



PCB Layout (mm)



THT PCB Fuse Holder

Part No.: **R53070**

DRW:	Jason	CHKD	Wilson	MATL:	Wilson	TOLERANCE	Mason	DATE	24.05.2014
APPD:	Schumi			FINISH	Jamy		Sheet No.	1 from 3	Customer:

EDCON-COMPONENTS



Ordering Informations

Serie	Spezial Function	Knob Type	ROHS	Packing						
-------	------------------	-----------	------	---------	--	--	--	--	--	--

R53070	A	1	R	BU						
---------------	----------	----------	----------	-----------	--	--	--	--	--	--

A= 5x20mm Fuse	1= Knob Type 1	R= ROHS Conform	BU= Bulk-Ware
B= 6,3x32mm Fuse	2= Knob Type 2		

THT PCB Fuse Holder
Part No.: R53070
Customer:

DRW:	Jason	CHKD	Wilson	MATL:	Wilson	TOLERANCE	Mason	DATE	24.05.2014
APPD:	Schumi			FINISH	Jamy		Sheet No.	2 from 3	



Soldering Profile Curve

Classification Reflow Profile (JEDEC J-STD-020C)



THT PCB Fuse Holder	
Part No.:	R53070
Customer:	

DRW:	Jason	CHKD	Wilson	MATL:	Wilson	TOLERANCE	Mason	DATE	24.05.2014
APPD:	Schumi			FINISH	Jamy		Sheet No.	3 from 3	