

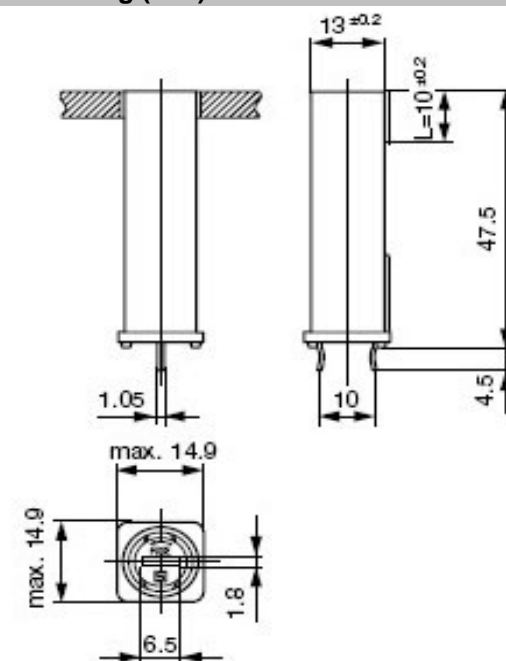
# EDCON-COMPONENTS



## Technical Discription

Type;	Screw-Type
Insulation Resistance:	10m Ω Min 500VDC
Contact Resistance:	5mΩ @ 1A DC
Dielectric Strength:	AC 3000V for min. 60Sec.
Rated Current:	16A
Rated Voltage:	250VAC
Fuse Type/Size:	5x20mm / 6,3x32mm
Protection Degree:	IP40

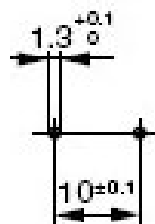
## Drawing (mm)



Approvals



## PCB Layout (mm)



Knob-Type A

Knob-Type B

THT PCB Fuse Holder

Part No.: **R53069**

DRW:	Jason	CHKD	Wilson	MATL:	Wilson	TOLERANCE	Mason	DATE	24.05.2014	Customer:
APPD:	Schumi			FINISH	Jamy		Sheet No.	1 from 3		

# EDCON-COMPONENTS



## Ordering Informations

Serie	Spezial Function	Knob Type	ROHS	Packing						
-------	------------------	-----------	------	---------	--	--	--	--	--	--

<b>R53069</b>	<b>A</b>	<b>1</b>	<b>R</b>	<b>BU</b>						
---------------	----------	----------	----------	-----------	--	--	--	--	--	--

<b>A=</b> 5x20mm Fuse	<b>1=</b> Knob Type 1	<b>R=</b> ROHS Conform	<b>BU=</b> Bulk-Ware
<b>B=</b> 6,3x32mm Fuse	<b>2=</b> Knob Type 2		

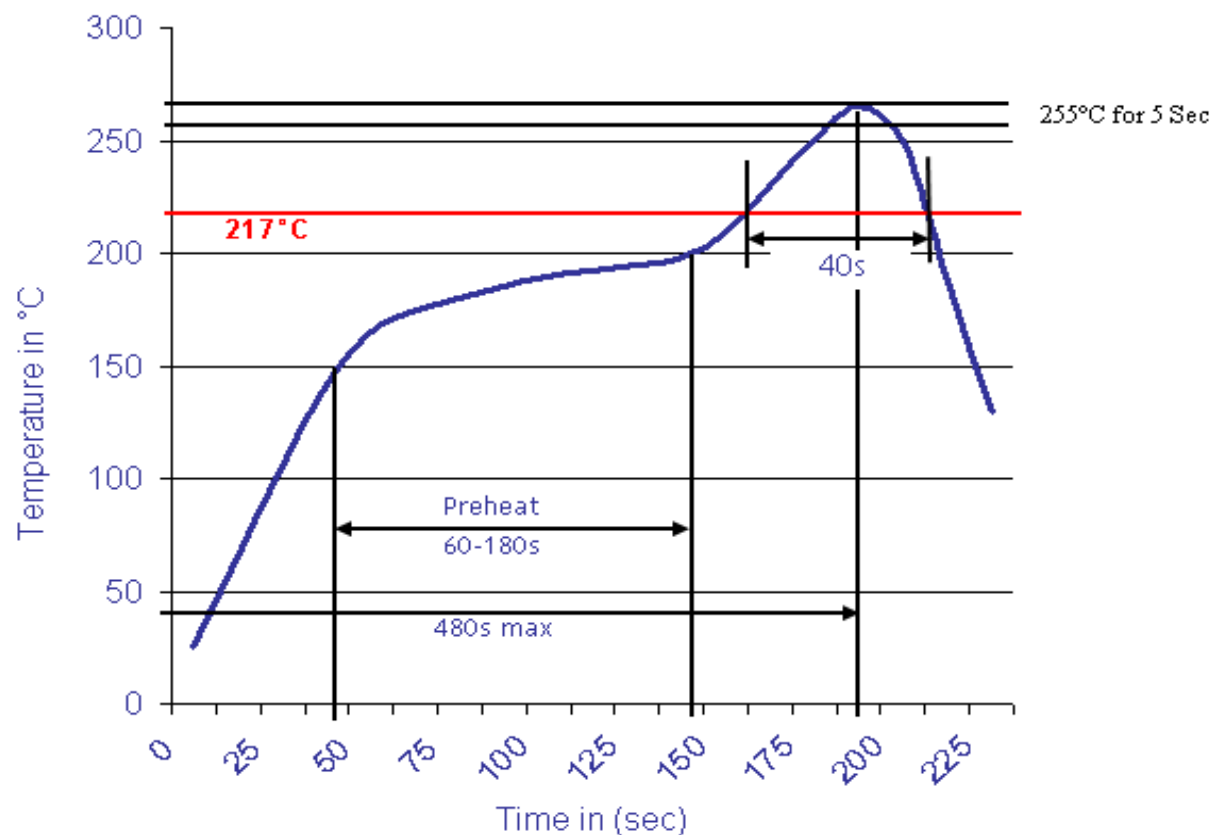
<b>THT PCB Fuse Holder</b>
Part No.: <b>R53069</b>
Customer:

DRW:	Jason	CHKD	Wilson	MATL:	Wilson	TOLERANCE	Mason	DATE	24.05.2014
APPD:	Schumi			FINISH	Jamy		Sheet No.	2 from 3	



Soldering Profile Curve

Classification Reflow Profile (JEDEC J-STD-020C)



THT PCB Fuse Holder

Part No.: **R53069**

DRW:	Jason	CHKD	Wilson	MATL:	Wilson	TOLERANCE	Mason	DATE	24.05.2014	Customer:
APPD:	Schumi			FINISH	Jamy		Sheet No.	3 from 3		