

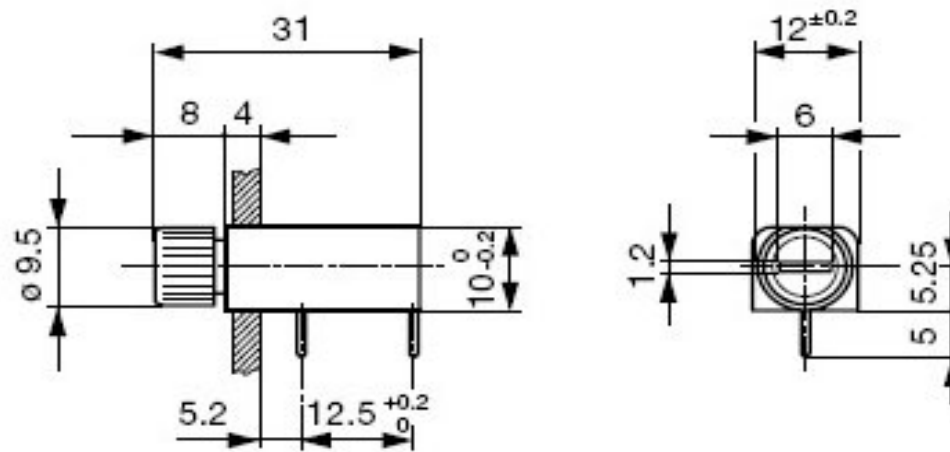
# EDCON-COMPONENTS



## Technical Discription

Type; Screw-Type  
 Insulation Resistance: 10m Ω Min 500VDC  
 Contact Resistance: 5mΩ @ 1A DC  
 Dielectric Strength: AC 3000V for min. 60Sec.  
 Rated Current: 10A  
 Rated Voltage: 400VAC  
 Fuse Type/Size: 5x20mm  
 Protection Degree: IP40

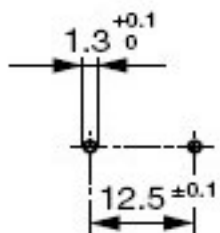
## Drawing (mm)



Approvals



## PCB Layout (mm)



**THT PCB Fuse Holder**

Part No.: **R53067**

DRW:	Jason	CHKD	Wilson	MATL:	Wilson	TOLERANCE	Mason	DATE	24.05.2014	Customer:
APPD:	Schumi			FINISH	Jamy		Sheet No.	1 from 3		

# EDCON-COMPONENTS



## Ordering Informations

Serie	Spezial Function	Spezial Function	ROHS	Packing						
-------	------------------	------------------	------	---------	--	--	--	--	--	--

<b>R53067</b>	-	<b>0</b>	<b>0</b>	<b>R</b>	<b>BU</b>					
---------------	---	----------	----------	----------	-----------	--	--	--	--	--

<b>0</b> = No function	<b>0</b> = No function	<b>R</b> = ROHS Conform	<b>BU</b> = Bulk-Ware

<b>THT PCB Fuse Holder</b>
Part No.: <b>R53067</b>
Customer:

DRW:	Jason	CHKD	Wilson	MATL:	Wilson	TOLERANCE	Mason	DATE	24.05.2014
APPD:	Schumi			FINISH	Jamy		Sheet No.	2 from 3	



Soldering Profile Curve

Classification Reflow Profile (JEDEC J-STD-020C)



<b>THT PCB Fuse Holder</b>	
Part No.:	<b>R53067</b>
Customer:	

DRW:	Jason	CHKD	Wilson	MATL:	Wilson	TOLERANCE	Mason	DATE	24.05.2014
APPD:	Schumi			FINISH	Jamy		Sheet No.	3 from 3	