

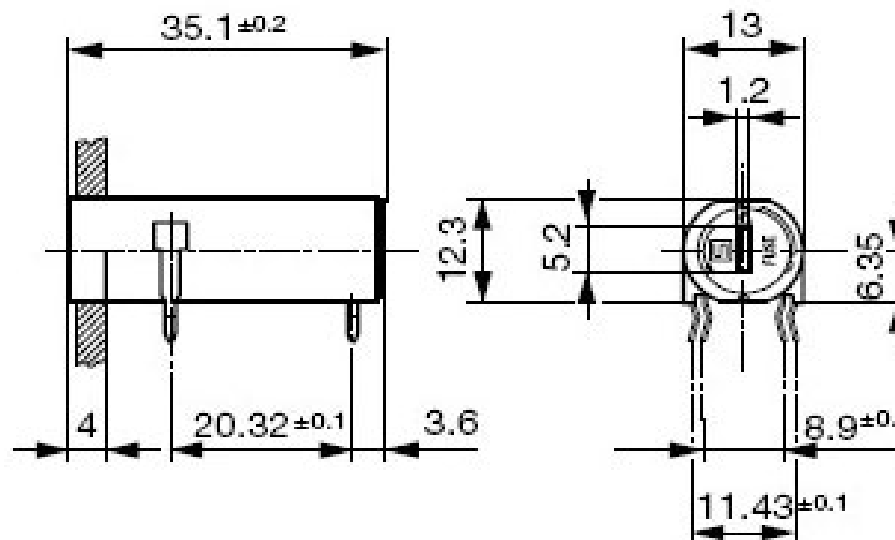
EDCON-COMPONENTS



Technical Description

Type:	Bajonett-Type
Insulation Resistance:	10m Ω Min 500VDC
Contact Resistance:	5mΩ @ 1A DC
Dielectric Strength:	AC 3000V for min. 60Sec.
Rated Current:	10A~16A
Rated Voltage:	250VAC
Fuse Type/Size:	5x20mm
Protection Degree:	IP40

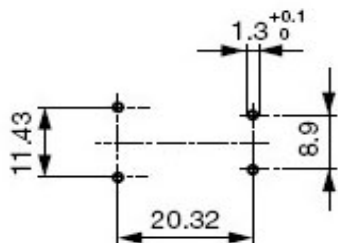
Drawing (mm)



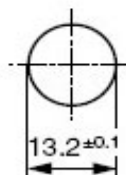
Approvals



PCB Layout (mm)



Mounting Hole



THT PCB Fuse Holder

Part No.: R53062

Customer:

DRW:	Jason	CHKD	Wilson	MATL:	Wilson	TOLERANCE	Mason	DATE	24.05.2014
APPD:	Schumi			FINISH	Jamy		Sheet No.	1 from 3	

EDCON-COMPONENTS



Ordering Informations

Serie	Spezial Function	Spezial Function	ROHS	Packing						
-------	---------------------	---------------------	------	---------	--	--	--	--	--	--

R53062	-	0	0	R	BU					
---------------	---	----------	----------	----------	-----------	--	--	--	--	--

0 = No function	0 = No function	R = ROHS Conform	BU = Bulk-Ware

THT PCB Fuse Holder
Part No.: R53062
Customer:

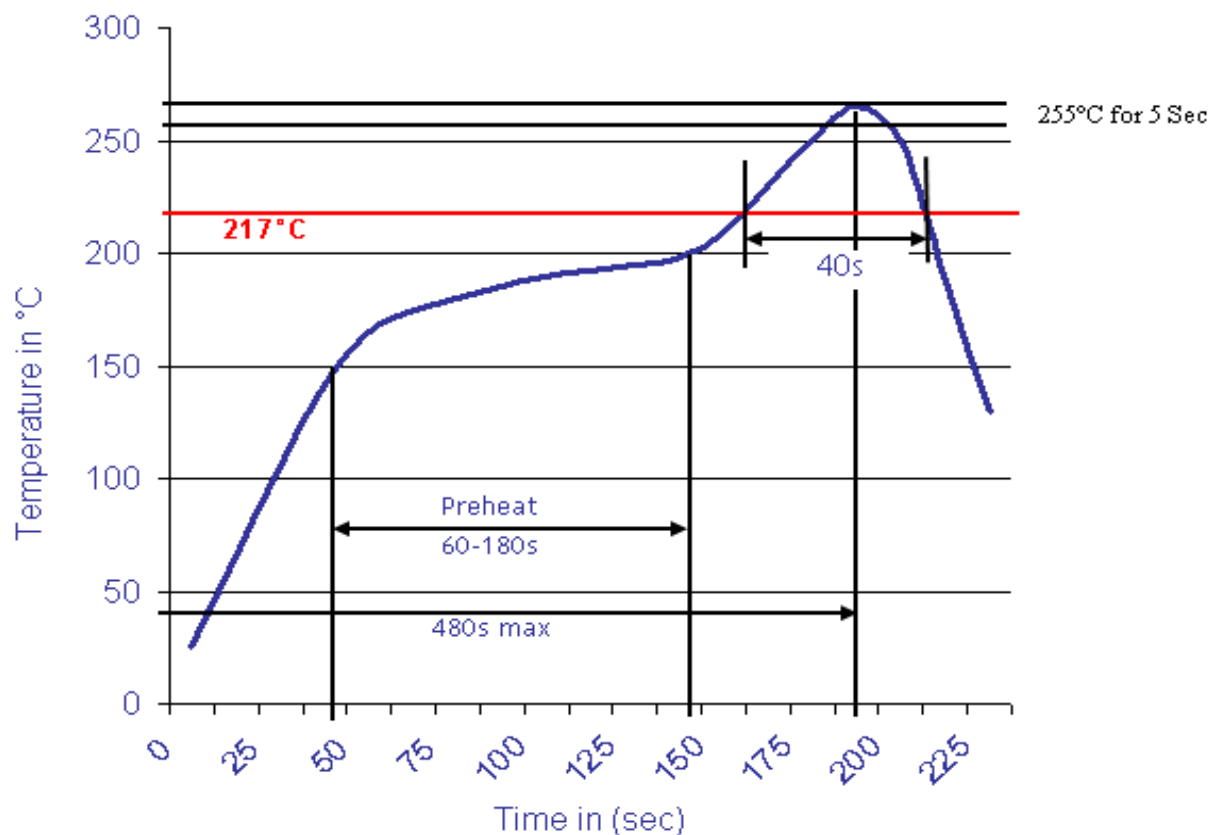
DRW:	Jason	CHKD	Wilson	MATL:	Wilson	TOLERANCE	Mason	DATE	24.05.2014
APPD:	Schumi			FINISH	Jamy			Sheet No.	2 from 3

EDCON-COMPONENTS



Soldering Profile Curve

Classification Reflow Profile (JEDEC J-STD-020C)



THT PCB Fuse Holder

Part No.: **R53062**

DRW:	Jason	CHKD	Wilson	MATL:	Wilson	TOLERANCE	Mason	DATE	24.05.2014	Customer:
APPD:	Schumi			FINISH	Jamy		Sheet No.	3 from 3		

www.edcon-components.com

email: info@edcon-components.com

Copyright by S.Tiede