

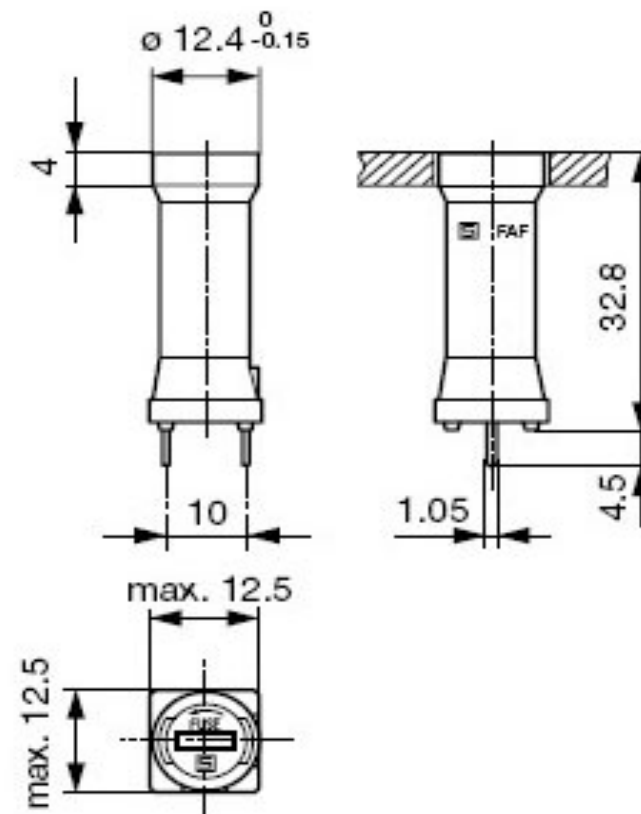
EDCON-COMPONENTS



Technical Description

Type:	Bajonett-Type
Insulation Resistance:	10m Ω Min 500VDC
Contact Resistance:	5mΩ @ 1A DC
Dielectric Strength:	AC 3000V for min. 60Sec.
Rated Current:	12A
Rated Voltage:	250VAC
Fuse Type/Size:	5x20mm
Protection Degree:	IP54

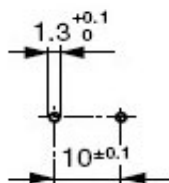
Drawing



Approvals



PCB Layout



THT PCB Fuse Holder

Part No.: **R53059**

DRW:	Jason	CHKD	Wilson	MATL:	Wilson	TOLERANCE	Mason	DATE	24.05.2014	Customer:
APPD:	Schumi			FINISH	Jamy		Sheet No.	1 from 3		

EDCON-COMPONENTS



Ordering Informations

Serie	Spezial Function	Spezial Function	ROHS	Packing						
-------	------------------	------------------	------	---------	--	--	--	--	--	--

R53059	-	0	0	R	BU					
---------------	---	----------	----------	----------	-----------	--	--	--	--	--

0 = No function	0 = No function	R = ROHS Conform	BU = Bulk-Ware

THT PCB Fuse Holder
Part No.: R53059
Customer:

DRW:	Jason	CHKD	Wilson	MATL:	Wilson	TOLERANCE	Mason	DATE	24.05.2014
APPD:	Schumi			FINISH	Jamy		Sheet No.	2 from 3	



Soldering Profile Curve

Classification Reflow Profile (JEDEC J-STD-020C)



THT PCB Fuse Holder	
Part No.:	R53059
Customer:	

DRW:	Jason	CHKD	Wilson	MATL:	Wilson	TOLERANCE	Mason	DATE	24.05.2014
APPD:	Schumi			FINISH	Jamy		Sheet No.	3 from 3	