

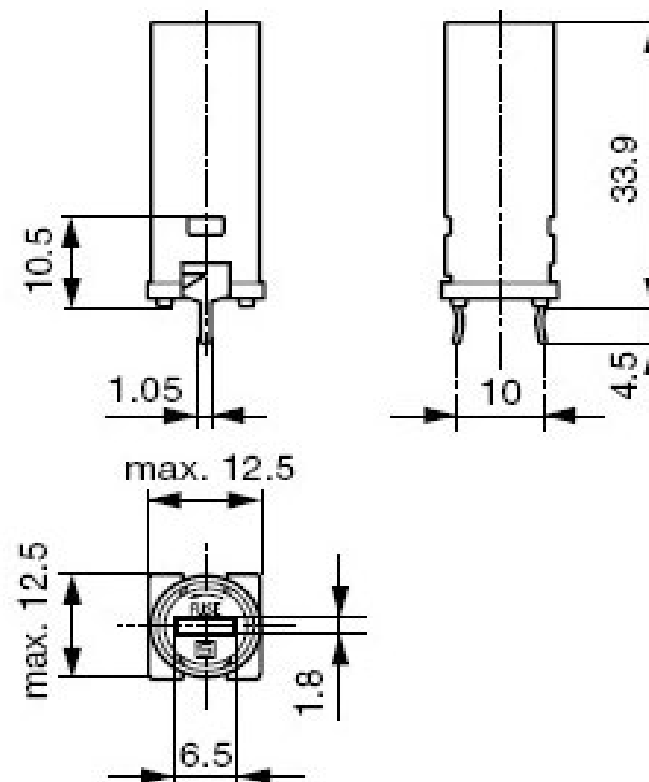
EDCON-COMPONENTS



Technical Discription

Type; Bajonett-Type
 Insulation Resistance: 100m Ω Min 500VDC
 Contact Resistance: 5m Ω @ 1A DC
 Dielectric Strength: AC 3000V for min. 60Sec.
 Rated Current: 10A ~16A
 Rated Voltage: 250VAC
 Fuse Type/Size: 5x20mm
 Protection Degree: IP40

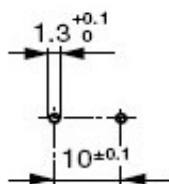
Drawing



Approvals



PCB Layout



THT PCB Fuse Holder

Part No.: **R53058**

Customer:

DRW:	Jason	CHKD	Wilson	MATL:	Wilson	TOLERANCE	Mason	DATE	24.05.2014
APPD:	Schumi			FINISH	Jamy		Sheet No.	1 from 3	

EDCON-COMPONENTS



Ordering Informations

Serie	Spezial Function	Spezial Function	ROHS	Packing						
-------	------------------	------------------	------	---------	--	--	--	--	--	--

R53058	-	0	0	R	BU					
---------------	---	----------	----------	----------	-----------	--	--	--	--	--

0 = No function	0 = No function	R = ROHS Conform	BU = Bulk-Ware

THT PCB Fuse Holder	
Part No.:	R53058
Customer:	

DRW:	Jason	CHKD	Wilson	MATL:	Wilson	TOLERANCE	Mason	DATE	24.05.2014
APPD:	Schumi			FINISH	Jamy			Sheet No.	2 from 3



Soldering Profile Curve

Classification Reflow Profile (JEDEC J-STD-020C)



THT PCB Fuse Holder	
Part No.:	R53058
Customer:	

DRW:	Jason	CHKD	Wilson	MATL:	Wilson	TOLERANCE	Mason	DATE	24.05.2014
APPD:	Schumi			FINISH	Jamy		Sheet No.	3 from 3	