

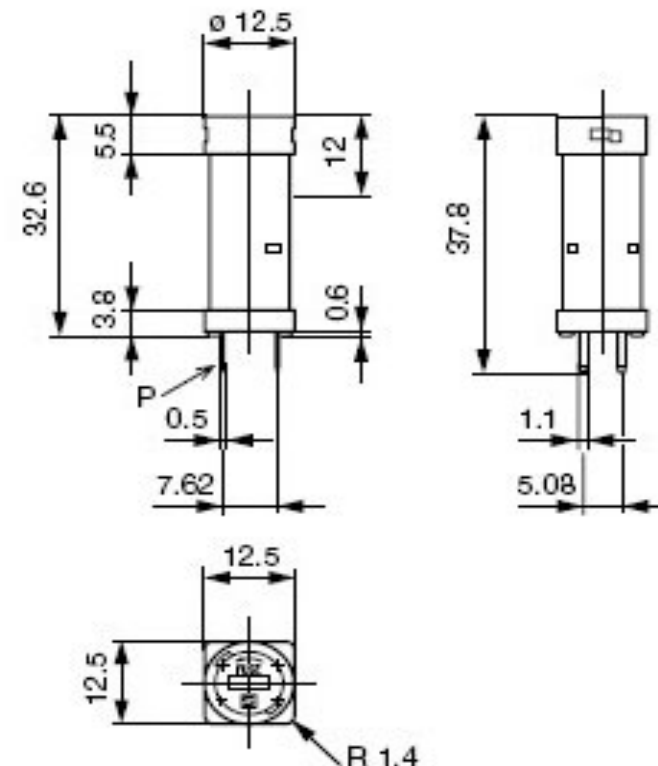
# EDCON-COMPONENTS



## Technical Description

Type:	Bajonett-Type
Insulation Resistance:	100m Ω Min 500VDC
Contact Resistance:	5m Ω @ 1A DC
Dielectric Strength:	AC 3000V for min. 60Sec.
Rated Current:	10A ~16A
Rated Voltage:	250VAC
Fuse Type/Size:	5x20mm
Protection Degree:	IP40

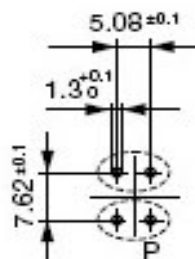
## Drawing



Approvals



## PCB Layout



**THT PCB Fuse Holder**

Part No.: **R53008**

Customer:

DRW:	Jason	CHKD	Wilson	MATL:	Wilson	TOLERANCE	Mason	DATE	24.05.2014
APPD:	Schumi			FINISH	Jamy		Sheet No.	1 from 3	

# EDCON-COMPONENTS



## Ordering Informations

Serie	Spezial Function	Spezial Function	ROHS	Packing						
-------	------------------	------------------	------	---------	--	--	--	--	--	--

<b>R53008</b>	-	<b>0</b>	<b>0</b>	<b>R</b>	<b>BU</b>					
---------------	---	----------	----------	----------	-----------	--	--	--	--	--

<b>0</b> = No function	<b>0</b> = No function	<b>R</b> = ROHS Conform	<b>BU</b> = Bulk-Ware

<b>THT PCB Fuse Holder</b>
Part No.: <b>R53008</b>
Customer:

DRW:	Jason	CHKD	Wilson	MATL:	Wilson	TOLERANCE	Mason	DATE	24.05.2014
APPD:	Schumi			FINISH	Jamy		Sheet No.	2 from 3	



Soldering Profile Curve

Classification Reflow Profile (JEDEC J-STD-020C)



<b>THT PCB Fuse Holder</b>	
Part No.:	<b>R53008</b>
Customer:	

DRW:	Jason	CHKD	Wilson	MATL:	Wilson	TOLERANCE	Mason	DATE	24.05.2014
APPD:	Schumi			FINISH	Jamy		Sheet No.	3 from 3	