

# EDCON-COMPONENTS



The Push Button series are used in controlling circuit of AC 50Hz and 60Hz, voltage to 660V DC voltage below 400V, it is used for controlling signal and interlocking. The main body adopts zinc alloy and high grade anti-flammng plastic. The contacts adapts special silver alloy, so it enjoys high anti-electrical erosion property. The signal lamp series are suitable to electrical appliance circuit of AC Voltage 380V 50Hz or 60Hz, DC below 380V, used as kinds of indication signal, warning signal, accident signal and other signals equipments.

Our products comply with GB/T 14048.1 and IEC 60497-5-1, all products has gained CE, ISO 9001, ROHS and UL certification.

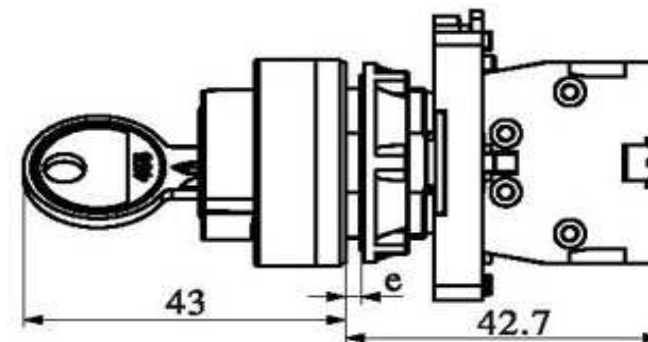
## Technical Parameter

Rated insulation Voltage	AC 600V (50Hz/60Hz)	
Conventioell heating current	10A	
Insulation resistance	$\geq 50M \Omega$	
Contact resistance	$\leq 25MM$ in $\Omega$	
Mechanical Life	$100 \times 10^4$ (Pushbutton)	$50 \times 10^4$ (Selectorswitch Key Switches)
Electrical Life	$500 \times 10^4$ (Pushbutton)	$25 \times 10^4$ (Selectorswitch Key Switches)

## Work environment

Surrounding Temperature:  $-25^{\circ}C \sim +55^{\circ}C$   
 Air relative humidity:  $\leq 85\%$   
 It can be normally work under following condition:  
 Vibration frequency is 2~ 80Hz and accelaration speed is 0,7g/h.  
 Pollution grade is 3, installation sort is III, protection grade is up to IP65.  
 Altitude:  $\leq 2000M$

## Technical Drawing



### Industrial Push Button

Part No.: **21B9005-**

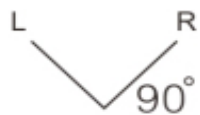
DRW:	Jason	CHKD	Wilson	MATL:	Wilson	TOLERANCE	Mason	DATE	11.11.2014
APPD:	Schumi			FINISH	Jamy		Sheet No.		1 from 3

Customer:

# EDCON-COMPONENTS



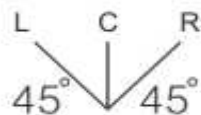
## Functions



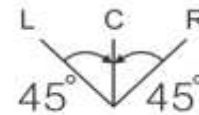
Function 01



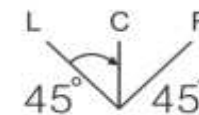
Function 02



Function 03



Function 04



Function 05

**Industrial Push Button**

Part No.: **21B9005-**

DRW:	Jason	CHKD	Wilson	MATL:	Wilson	TOLERANCE	Mason	DATE	11.11.2014	Customer:
APPD:	Schumi			FINISH	Jamy		Sheet No.	2 from 3		

# EDCON-COMPONENTS



## Ordering Informations

Serie	Button Color Code	Function	Printing Code Button	Contact type	No function	No function	ROHS	Packing		
<b>21B9005-</b>	<b>BK</b>	<b>01</b>	<b>00</b>	<b>1</b>	<b>X</b>	<b>X</b>	<b>R</b>	<b>BU</b>		

	<b>01=</b> Left and Right	<b>00=</b> without symbol	<b>1=</b> 1xN/O Contact	<b>X=</b> No function	<b>X=</b> No function	<b>R=</b> ROHS Conform	<b>BU=</b> BULK-WARE
	<b>02=</b> Left / Right / Right spring return		<b>2=</b> 1xN/C Contact			<b>N=</b> NON ROHS Conform	<b>IN=</b> Individual
	<b>03=</b> Left / Center / Right		<b>3=</b> 2xN/O Contact				
	<b>04=</b> Left / Center / Right both spring return		<b>4=</b> 2xN/C Contact				
<b>BK=</b> Black Color	<b>05=</b> Left / Center / Right / Left spring return		<b>5=</b> 1xN/C + 1xN/O Contact				

### Industrial Push Button

Part No.: **21B9005-**

Customer:

DRW:	Jason	CHKD	Wilson	MATL:	Wilson	TOLERANCE	Mason	DATE	11.11.2014
APPD:	Schumi			FINISH	Jamy		Sheet No.		3 from 3