

EDCON-COMPONENTS



The Push Button series are used in controlling circuit of AC 50Hz and 60Hz, voltage to 660V DC voltage below 400V, it is used for controlling signal and interlocking. The main body adopts zinc alloy and high grade anti-flammng plastic. The contacts adapts special silver alloy, so it enjoys high anti-electrical erosion property. The signal lamp series are suitable to electrical appliance circuit of AC Voltage 380V 50Hz or 60Hz, DC below 380V, used as kinds of indication signal, warning signal, accident signal and other signals equipments.

Our products comply with GB/T 14048.1 and IEC 60497-5-1, all products has gained CE, ISO 9001, ROHS and UL certification.

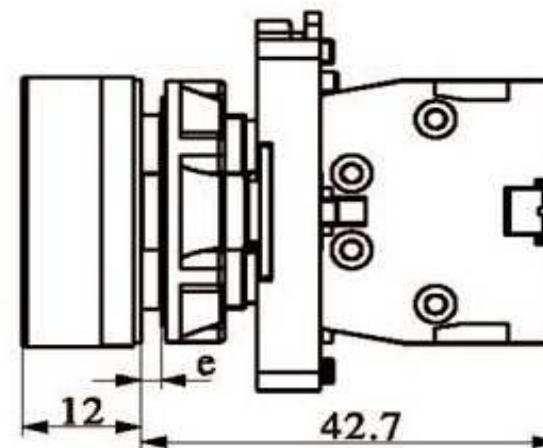
Technical Parameter

Rated insulation Voltage	AC 600V (50Hz/60Hz)	
Conventioell heating current	10A	
Insulation resistance	$\geq 50M \Omega$	
Contact resistance	$\leq 25MM$ in Ω	
Mechanical Life	100×10^4 (Pushbutton)	50×10^4 (Selectorswitch Key Switches)
Electrical Life	500×10^4 (Pushbutton)	25×10^4 (Selectorswitch Key Switches)

Work environment

Surrounding Temperature: $-25^{\circ}C \sim +55^{\circ}C$
 Air relative humidity: $\leq 85\%$
 It can be normally work under following condition:
 Vibration frequency is 2~ 80Hz and accelaration speed is 0,7g/h.
 Pollution grade is 3, installation sort is III, protection grade is up to IP65.
 Altitude: $\leq 2000M$

Technical Drawing



Industrial Push Button

Part No.: **21B9002-**

DRW:	Jason	CHKD	Wilson	MATL:	Wilson	TOLERANCE	Mason	DATE	11.11.2014
APPD:	Schumi			FINISH	Jamy		Sheet No.		1 from 3

Customer:

EDCON-COMPONENTS



Symbols



Symbol A1



Symbol A2



Symbol A3



Symbol A4



Symbol A5



Symbol A6



Symbol A7



Symbol A8



Symbol A9

Customer Symbols on request

Symbol Bx



Symbol B1

Industrial Push Button

Part No.: **21B9002-**

DRW:	Jason	CHKD	Wilson	MATL:	Wilson	TOLERANCE	Mason	DATE	11.11.2014	Customer:
APPD:	Schumi			FINISH	Jamy		Sheet No.	2 from 3		

EDCON-COMPONENTS



Ordering Informations

Serie	Button Color Code	Colour of Symbol	Printing Code Button	Contact type	No function	No function	ROHS	Packing		
21B9002-	RD	WH	A4	1	X	X	R	BU		

RD= Red Color			1= 1xN/O Contact	X= No function	X= No function	R= ROHS Conform	BU= BULK-WARE
BL= Blue Color	RD= Red Color	A1= Symbol Type	2= 1xN/C Contact			N= NON ROHS Conform	IN= Individual
GN= Green Color	BL= Blue Color	A2= Symbol Type	3= 2xN/O Contact				
WH= White Color	GN= Green Color	A2= Symbol Type	4= 2xN/C Contact				
BK= Black Color	WH= White Color	A3= Symbol Type	5= 1xN/C + 1xN/O Contact				
YE= Yellow Color	BK= Black Color	A4= Symbol Type					
CL= Clear Color	YE= Yellow Color	A5= Symbol Type					
	CL= Clear Color	A6= Symbol Type					
		Ax= Symbol Type					

Industrial Push Button

Part No.: **21B9002-**

DRW:	Jason	CHKD	Wilson	MATL:	Wilson	TOLERANCE	Mason	DATE	11.11.2014
APPD:	Schumi			FINISH	Jamy		Sheet No.		3 from 3

Customer: