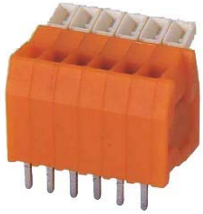
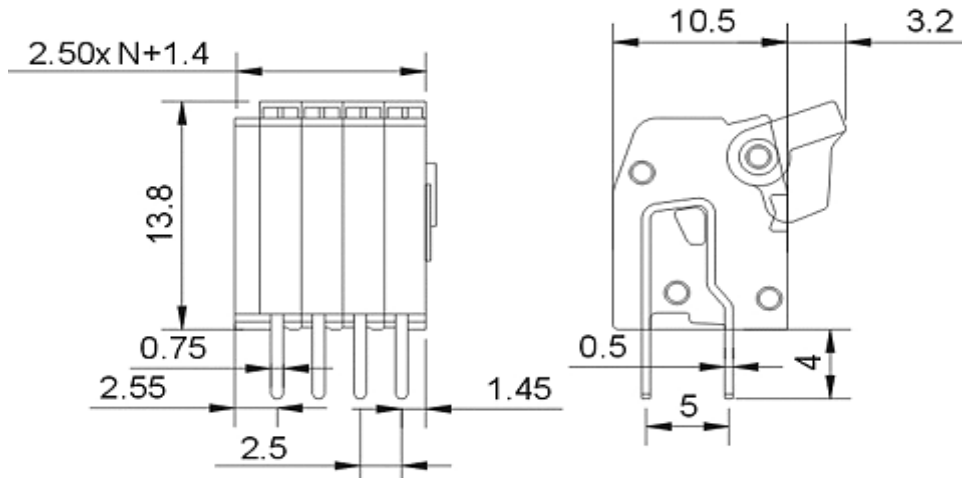


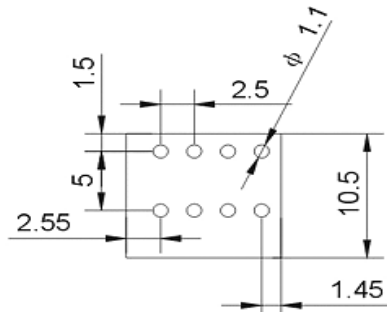
EDCON-COMPONENTS



Drawing



P.C.B. Layout



Specification

Electrical

Standard	
Rated voltage	150V
Rated current	4A
Wire range	28-20 AWG

Mechanical

Ambient temperature	-40°C ~ +105°C
Strip length	5 - 6mm

Dimensions

Pitch	2.50mm
Poles	1P-xxP

Material

Housing	PA66 (UL94V-0)
Pin header	Phosphor Bronze, Tin plated
Wire guard	Stainless steel



Screwless Terminal Block

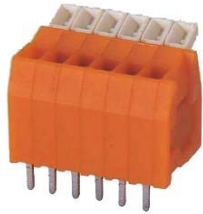
Pitch 2.50mm

DRW:	Jason	CHKD	Wilson	MATL:	Wilson	TOLERANCE	Mason	DATE	11.8.2009	Part No.:	A11E008
APPD:	Schumi			FINISH	Jamy			Sheet No.	1 from 3	Customer:	

www.edcon-components.com

email: info@edcon-components.com

EDCON-COMPONENTS



Ordering Informations

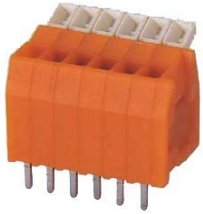
Serie	-	No. of Pole	Body-Color	-	Customer Request
A11E008	-	XX	XX	-	X

XX = total	WH - white
	GN - green
	GR - gray <i>(standard)</i>
	PG - Phoenix Green
	OR - orange <i>(standard)</i>
	BK - black
	BL - blue
	LG - light gray



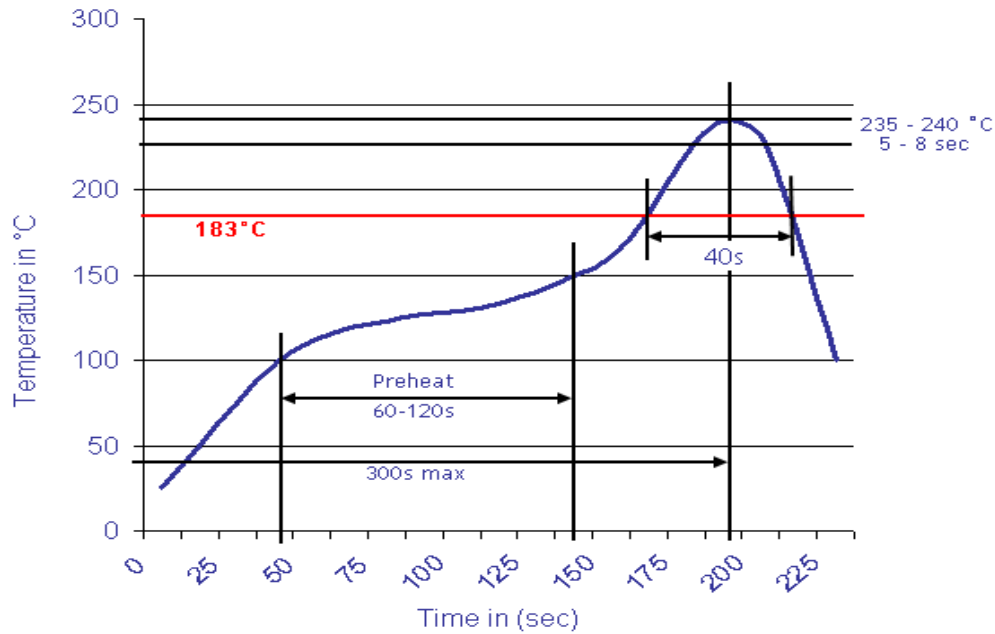
Screwless Terminal Block
Pitch 2.50mm
Part No.: A11E008
Customer:

DRW:	Jason	CHKD	Wilson	MATL:	Wilson	TOLERANCE	Mason	DATE	11.8.2009	Part No.:	A11E008
APPD:	Schumi			FINISH	Jamy			Sheet No.	2 from 3	Customer:	



Soldering - Profil

Classification Reflow Profile (JEDEC J-STD-020C)



Screwless Terminal Block

Pitch 2.50mm

DRW:	Jason	CHKD	Wilson	MATL:	Wilson	TOLERANCE	Mason	DATE	11.8.2009	Part No.:	A11E008
APPD:	Schumi			FINISH	Jamy			Sheet No.	3 from 3	Customer:	