



# DATA SHEET

## OPTICAL JACK STRAIGHT TYPE

### Serie: T49001

**OPTICAL JACK STRAIGHT  
TYPE**

Serie No.: **T49001**

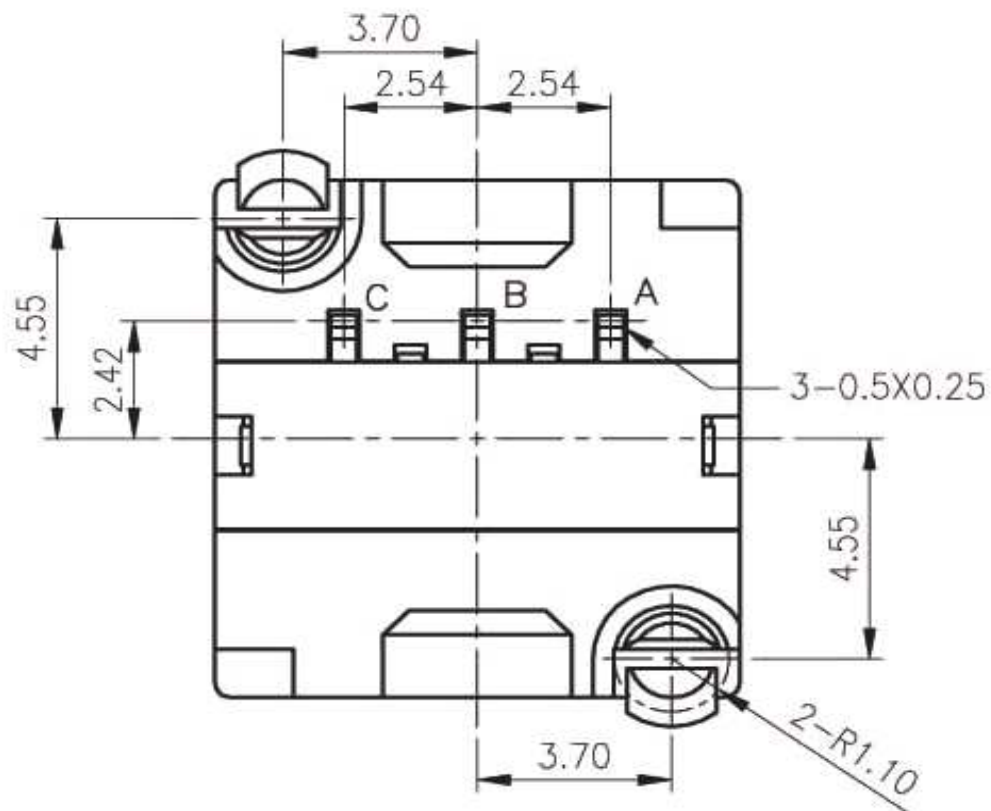
Customer:

DRW:	Jason	CHKD	Wilson	MATL:	Wilson	TOLERANCE	Mason	DATE	30.11.2011
APPD:	Schumi			FINISH	Jamy		Sheet No.		1 from 8

# EDCON-COMPONENTS



## Technical Dimensions



## Technical Description

Housing Material:

Drive IC & Housing Color:

Fitting (4):

P2-Cover (3):

0= Thermoplastik

1= High Temp Plastic

T= Transmitter (TX unit) Black

R= Receiver (RX unit) Pink # 701C

Thermoplastic

High Temp. Plastic

**OPTICAL JACK STRAIGHT  
TYPE**

Part No.: **T49001**

Customer:

DRW:	Jason	CHKD	Wilson	MATL:	Wilson	TOLERANCE	Mason	DATE	30.11.2011
APPD:	Schumi			FINISH	Jamy		Sheet No.	2 from 8	

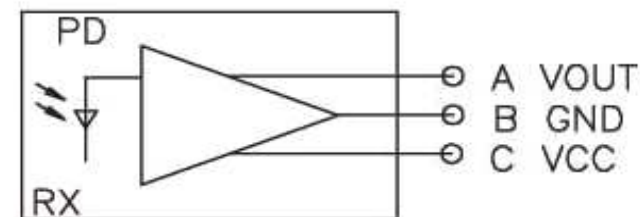
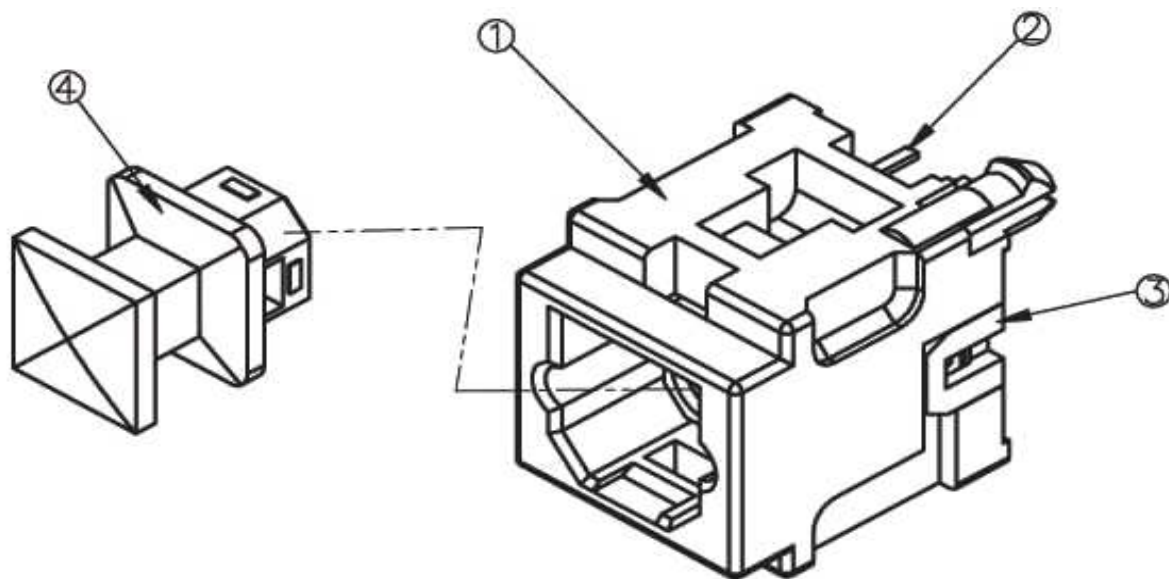
[www.edcon-components.com](http://www.edcon-components.com)

email: [info@edcon-components.com](mailto:info@edcon-components.com)

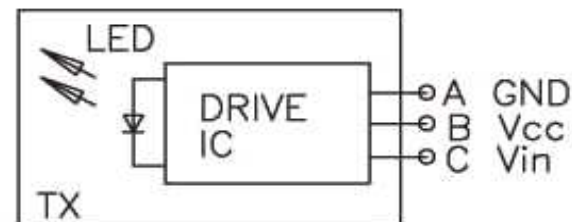
# EDCON-COMPONENTS



## Technical Dimensions



RECEIVER



TRANSMITTER

**OPTICAL JACK STRAIGHT  
TYPE**

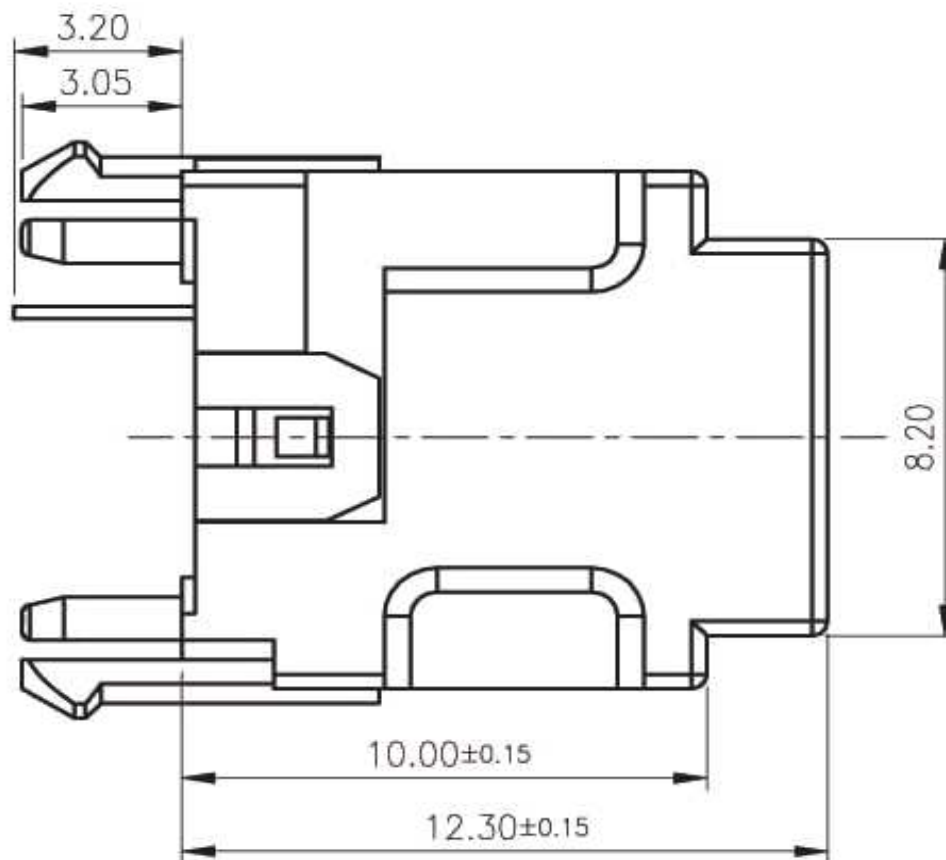
Part No.: **T49001**

Customer:

DRW:	Jason	CHKD	Wilson	MATL:	Wilson	TOLERANCE	Mason	DATE	30.11.2011
APPD:	Schumi			FINISH	Jamy		Sheet No.		3 from 8



Technical Dimensions

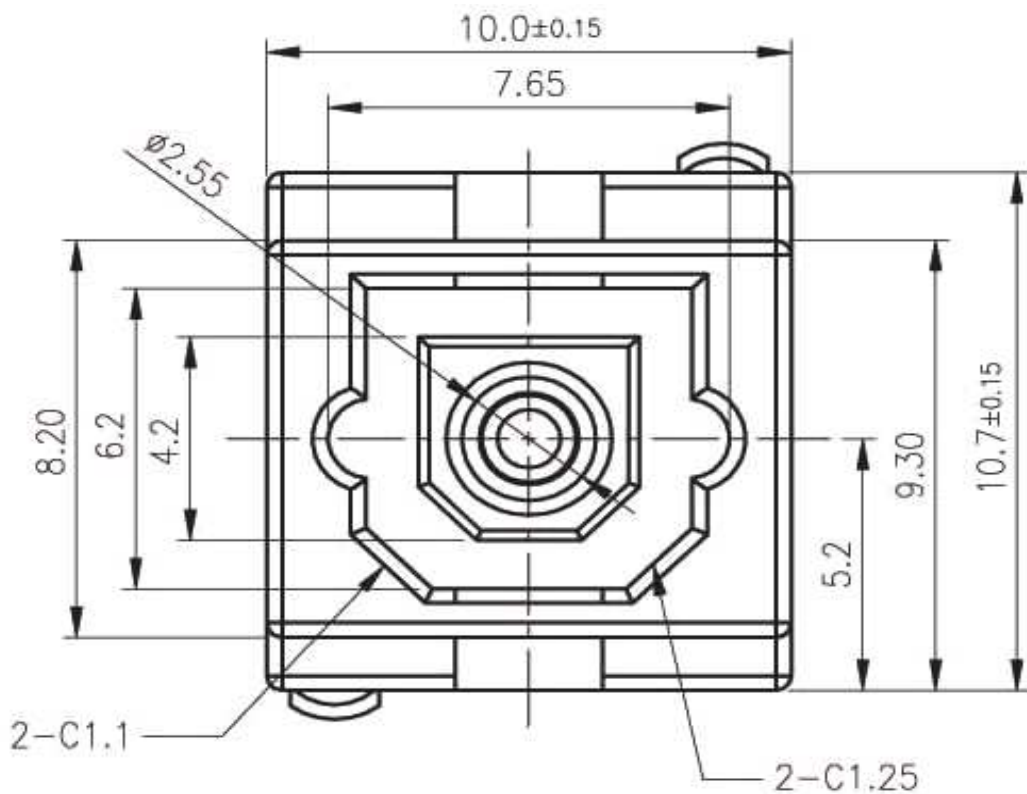


<b>OPTICAL JACK STRAIGHT TYPE</b>	
Part No.:	<b>T49001</b>
Customer:	

DRW:	Jason	CHKD	Wilson	MATL:	Wilson	TOLERANCE	Mason	DATE	30.11.2011
APPD:	Schumi			FINISH	Jamy		Sheet No.	4 from 8	



Technical Dimensions

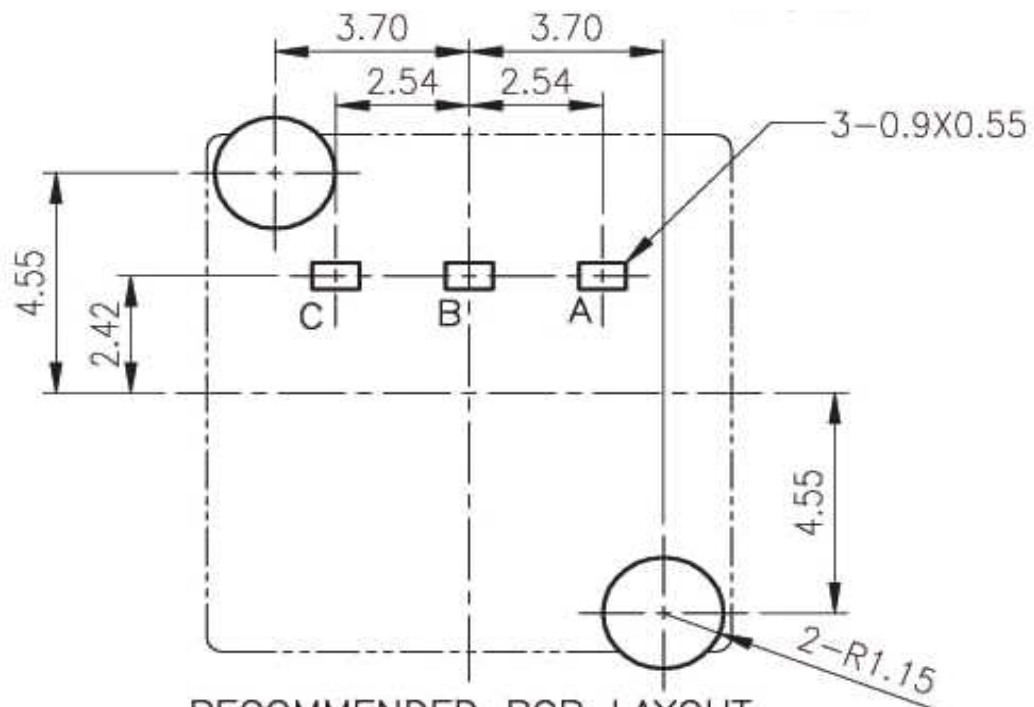


<b>OPTICAL JACK STRAIGHT TYPE</b>	
Part No.:	<b>T49001</b>
Customer:	

DRW:	Jason	CHKD	Wilson	MATL:	Wilson	TOLERANCE	Mason	DATE	30.11.2011
APPD:	Schumi			FINISH	Jamy		Sheet No.	5 from 8	



Technical Dimensions



RECOMMENDED PCB LAYOUT  
<BOTTOM VIEW>

NOTE : TOLERANCE FOR PCB LAYOUT IS  $\pm 0.05$

<b>OPTICAL JACK STRAIGHT TYPE</b>	
Part No.:	<b>T49001</b>
Customer:	

DRW:	Jason	CHKD	Wilson	MATL:	Wilson	TOLERANCE	Mason	DATE	30.11.2011
APPD:	Schumi			FINISH	Jamy		Sheet No.	6 from 8	

# EDCON-COMPONENTS



## Ordering Informations

Serie	Housing Material	Tranmitter Type	Special function	ROHS	Packing Code					
<b>T49001</b>	<b>T</b>	<b>T</b>	<b>N</b>	<b>R</b>	<b>BU</b>					
	<b>T=</b> Thermo plastic <b>H=</b> High Temep. Thermo plastic	<b>T=</b> Transmitter <b>R=</b> Receiver	<b>N=</b> No function	<b>R=</b> ROHS Conform <b>N=</b> NON ROHS Conform	<b>BU=</b> Bulk Ware					

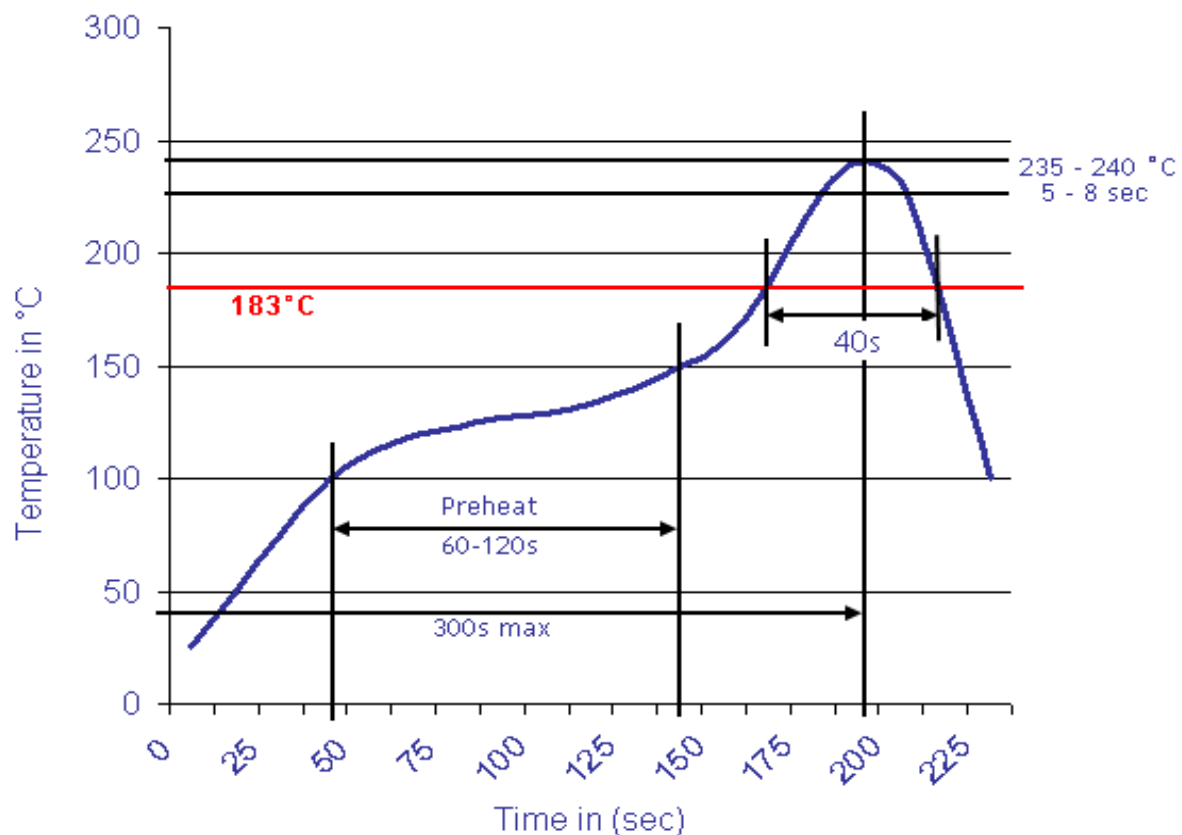
<b>OPTICAL JACK STRAIGHT TYPE</b>	
Part No.:	<b>T49001</b>
Customer:	

DRW:	Jason	CHKD	Wilson	MATL:	Wilson	TOLERANCE	Mason	DATE	30.11.2011
APPD:	Schumi			FINISH	Jamy		Sheet No.		7 from 8



Soldering Profile Curve

Classification Reflow Profile (JEDEC J-STD-020C)



<b>OPTICAL JACK STRAIGHT TYPE</b>	
Part No.:	<b>T49001</b>
Customer:	

DRW:	Jason	CHKD	Wilson	MATL:	Wilson	TOLERANCE	Mason	DATE	30.11.2011
APPD:	Schumi			FINISH	Jamy		Sheet No.	8 from 8	