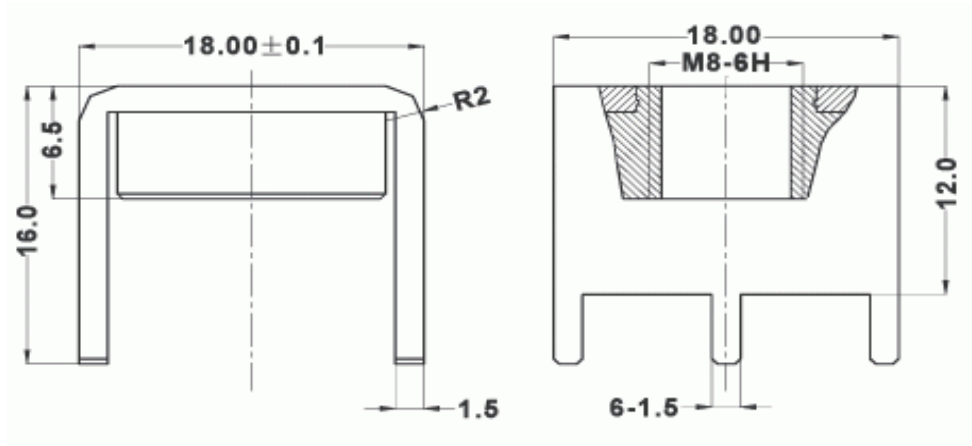




Technical Dimension



Material

Material	Brass / Tin Plated
Center Space:	8,25mm
Screw:	M8
Material Screw:	Steel Nickel Plated
Screw Torque:	28 lbf-in
Rated Current:	100A

Ordering Information

Serie	ROHS	Packing				
A25018	R	BU102				

R= ROHS Conform	BU102= Bulk Ware 1000PCS
N= NON ROHS	

PCB Power Terminal	
Part No.:	A25018
Customer:	

DRW:	Jason	CHKD	Jules	MATL:	Wu	DATE	06.06.2009
APPD:	Join			FINISH	Shieh	Sheet	1 from 1