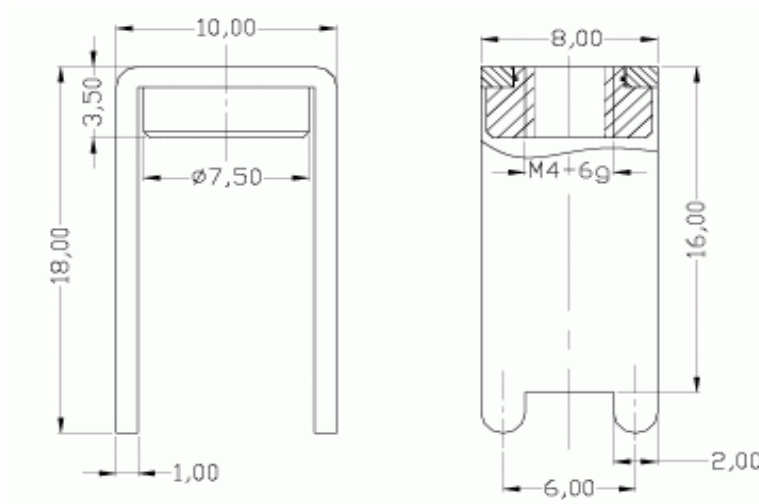




Technical Dimension



Material

Material: Brass, Tin plated
 Center Space: 6,00mm
 Screw: M4
 Material Screw: Steel Nickel Plated
 Screw Torque: 12 lbf-in
 Rated Current: 60A

Ordering Information

| | | | | | | |
|---------------|----------|--------------|--|--|--|--|
| Serie | ROHS | Packing | | | | |
| A25007 | R | BU102 | | | | |

| | |
|-----------------|--------------------------|
| R= ROHS Conform | BU102= Bulk Ware 1000PCS |
| N= NON ROHS | |

| | |
|---------------------------|---------------|
| PCB Power Terminal | |
| Part No.: | A25007 |
| Customer: | |

| | | | | | | | |
|-------|-------|------|-------|--------|-------|-------|------------|
| DRW: | Jason | CHKD | Jules | MATL: | Wu | DATE | 06.06.2009 |
| APPD: | Join | | | FINISH | Shieh | Sheet | 1 from 1 |