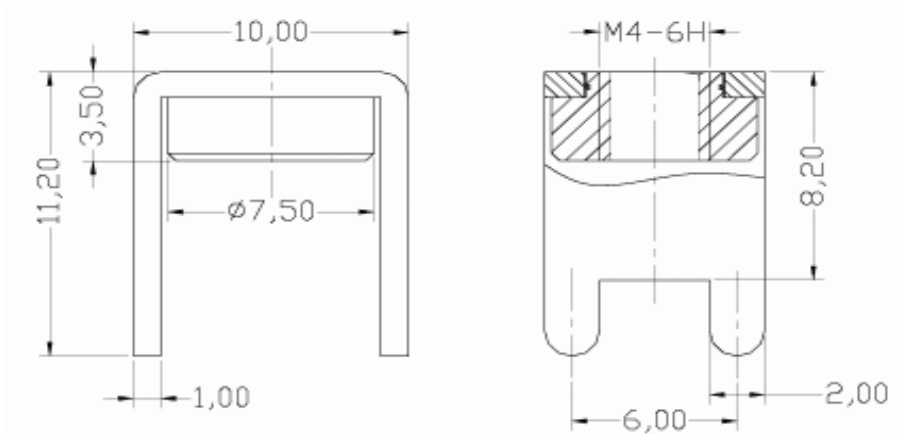




**Technical Dimension**



**Material**

Material: Brass, Tin plated  
 Center Space: 6,00mm  
 Screw: M4  
 Material Screw: Steel Nickel Plated  
 Screw Torque: 12 lbf-in  
 Rated Current: 60A

**Ordering Information**

Serie	ROHS	Packing				
<b>A25006</b>	<b>R</b>	<b>BU102</b>				

R= ROHS Conform	BU102= Bulk Ware 1000PCS
N= NON ROHS	

<b>PCB Power Terminal</b>	
Part No.:	<b>A25006</b>
Customer:	

DRW:	Jason	CHKD	Jules	MATL:	Wu	DATE	06.06.2009
APPD:	Join			FINISH	Shieh	Sheet	1 from 1