

Data Sheet

DIN Rail Terminal Block

Pitch: 5,00 mm

Serie: A14L098

Customer Information for special Item

EDCON Customer : 0

Customer Version No. : 0

EDCON-COMPONENTS



Technical Discription

Drawing (Dimension in mm)

Electrical

Rated Voltage	300Volt
Rated Current	15A / IEC
Wire Range	0,2 ~ 2,5mm ²
Wire Range AWG-Size	12 ~ 28
Withstanding Voltage	2,5KV

Mechanical

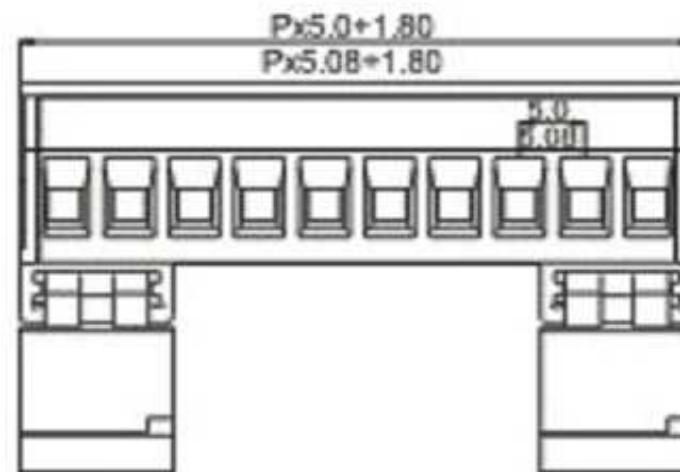
Operating Temperature	. -40°C ~ +105°C
Wire Strip Length	7-8mm

Dimensions

Pitch (mm)	5,00
Poles	2 ~ 24 Pos.

Materials

Terminal Housing	Thermoplastic, UL94V-0
Screw:	M2,5 Steel, Zinc plated
Terminal:	Phosphor Bronze
Wire Cage:	Brass, Ni plated



DIN Rail Terminal Block

Part No.: **A14L098**

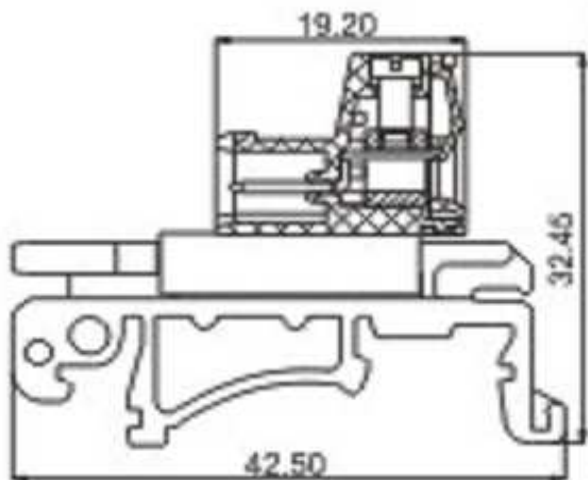
Customer:

DRW:	Jason	CHKD	Wilson	MATL:	Wilson	TOLERANCE	Mason	DATE	24.09.2013
APPD:	Schumi			FINISH	Jamy		Sheet No.	1 from 4	

EDCON-COMPONENTS



Dimension Tolerance (mm)



No. of Pos.	P	Tol. A			
02	11,80	± 0,10			
03	16,80	± 0,10			
04	21,80	± 0,10			
05	26,80	± 0,10			
06	31,80	± 0,10			
07	36,80	± 0,10			
08	41,80	± 0,10			
09	46,80	± 0,20			
10	51,80	± 0,20			
11	56,80	± 0,20			
12	61,80	± 0,20			
13	66,80	± 0,20			
14	71,80	± 0,20			
15	76,80	± 0,20			
16	81,80	± 0,20			
17	86,80	± 0,30			
18	91,80	± 0,30			
19	96,80	± 0,30			
20	101,80	± 0,30			
21	106,80	± 0,30			
22	111,80	± 0,30			
23	116,80	± 0,30			
24	121,80	± 0,30			

DIN Rail Terminal Block

Part No.: **A14L098**

Customer:

DRW:	Jason	CHKD	Wilson	MATL:	Wilson	TOLERANCE	Mason	DATE	24.09.2013
APPD:	Schumi			FINISH	Jamy		Sheet No.	2 from 4	

EDCON-COMPONENTS



Ordering Informations

Serie	No. of Pos.	Body Color	Function	Approval Code	ROHS	Packing	EDCON Cust. No.	Customer Version		
-------	-------------	------------	----------	---------------	------	---------	-----------------	------------------	--	--

A14L098	02	PG	N	N	R	B				
----------------	-----------	-----------	----------	----------	----------	----------	--	--	--	--

Pitch 5,00	02= Number of Pos.	PG= Phoenix Green (Standard)	N= No function	N= NON Approval	R= ROHS Conform	B= Bulk-Ware	xxxxxx= Customer Number	xxx= Customer Version ??(Printing)
	Standard 2 ~ 24Pos.			A= UL /UR Approval Please consult EDCON for available	N= NON ROHS Conform	I= Individual Package		
					B= VDE Approval Please consult EDCON for available			
					C= TÜV Approval Please consult EDCON for available			

DIN Rail Terminal Block	
Part No.:	A14L098
Customer:	

DRW:	Jason	CHKD	Wilson	MATL:	Wilson	TOLERANCE	Mason	DATE	24.09.2013
APPD:	Schumi			FINISH	Jamy			Sheet No.	3 from 4



Soldering Profile Curve

DIN Rail Terminal Block
Part No.: A14L098
Customer:

DRW:	Jason	CHKD	Wilson	MATL:	Wilson	TOLERANCE	Mason	DATE	24.09.2013
APPD:	Schumi			FINISH	Jamy		Sheet No.	4 from 4	