

# Data Sheet

## Pluggable Terminal Block (Plug)

**Pitch: 3,50 mm**

**Serie: A14G149**

### Customer Information for special Item

**EDCON Customer : 0**

**Customer Version No. : 0**

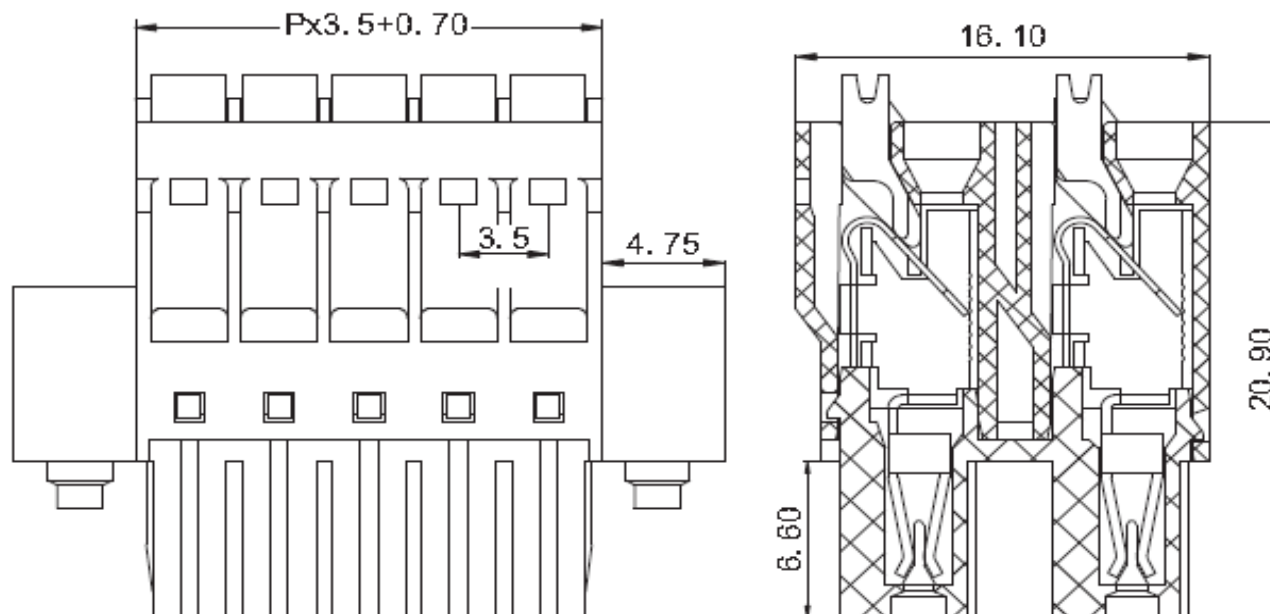
# EDCON-COMPONENTS



## Technical Discription

<b>Electrical</b>	UL	CE
Rated Voltage	300Volt	250V
Rated Current	8A	7A
Wire Range		1,5mm <sup>2</sup>
Wire Range AWG-Size	16 ~ 28	
Withstanding Voltage	2,0KV	2,0KV
Insulation Resistance	5000MΩ / 1KV	
<b>Mechanical</b>		
Operating Temperature	-40°C ~ +105°C	
Wire Strip Length	6-7mm	
Screw Torque	0,2 / (1,8In-In.)	
Screw Size	M2	
<b>Dimensions</b>		
Pitch (mm)	3,50	
Poles	2 ~ 24 Pos.	
<b>Materials</b>		
Terminal Housing	PA66, UL94V-0	
Pin Header	Brass Tin Plated	
Screw	Steel Ni-plated / Zinc Plated	
Cage	Brass Ni Plated	

## Drawing (Dimension in mm)



							Unspecified Tolerance (mm)				<b>Pluggable Terminal Block (Plug)</b>	
							X.	X.x	X.xx	X.xxx		X.xxxx
							0,35	0,25	0,2	0,15		Part No.: <b>A14G149</b>
DRW:	Jason	CHKD	Wilson	MATL:	Wilson	TOLERANCE	Mason	DATE	25.03.2017	Customer:		
APPD:	Schumi			FINISH	Jamy			Sheet No.	1 from 3			

# EDCON-COMPONENTS



## Dimension Tolerance (mm)

No. of Pos.	P	Tol. A	B	Tol. B
02	4,20	± 0,10	3,50	± 0,10
03	7,80	± 0,10	7,00	± 0,10
04	11,30	± 0,10	10,50	± 0,10
05	14,80	± 0,10	14,00	± 0,10
06	18,30	± 0,10	17,50	± 0,10
07	21,80	± 0,10	21,00	± 0,10
08	25,30	± 0,10	24,50	± 0,10
09	28,80	± 0,20	28,00	± 0,20
10	32,30	± 0,20	31,50	± 0,20
11	35,80	± 0,20	35,00	± 0,20
12	39,30	± 0,20	38,50	± 0,20
13	42,80	± 0,20	42,00	± 0,20
14	46,30	± 0,20	45,50	± 0,20
15	49,80	± 0,20	49,00	± 0,20
16	53,30	± 0,20	52,50	± 0,20
17	56,80	± 0,30	56,00	± 0,30
18	60,30	± 0,30	59,50	± 0,30
19	63,80	± 0,30	63,00	± 0,30
20	67,30	± 0,30	66,50	± 0,30
21	70,80	± 0,30	70,00	± 0,30
22	74,30	± 0,30	73,50	± 0,30
23	77,80	± 0,30	77,00	± 0,30
24	81,30	± 0,30	80,50	± 0,30

### Pluggable Terminal Block (Plug)

Part No.: **A14G149**

Customer:

DRW:	Jason	CHKD	Wilson	MATL:	Wilson	TOLERANCE	Mason	DATE	25.03.2017
APPD:	Schumi			FINISH	Jamy		Sheet No.		2 from 3



# EDCON-COMPONENTS



## Ordering Informations

Serie	No. of Pos.	Body Color	Screw Type	Approval Code	ROHS	Packing	EDCON Cust. No.	Customer Version		
-------	-------------	------------	------------	---------------	------	---------	-----------------	------------------	--	--

<b>A14G149</b>	<b>02</b>	<b>PG</b>	<b>C</b>	<b>N</b>	<b>R</b>	<b>B</b>				
----------------	-----------	-----------	----------	----------	----------	----------	--	--	--	--

Pitch 3,50	<b>02</b> = Number of Pos. Standard 2 ~ 24Pos.	<b>PG</b> = Phoenix Green (Standard) <b>WH</b> = White <b>GN</b> = Green <b>GY</b> = Gray <b>LG</b> = Light Gray <b>OR</b> = Orange <b>BL</b> = Blue <b>BK</b> = Black	<b>A</b> = Slotted Screw Type (Standard)  <b>B</b> = Cross Slotted Screw Type  <b>C</b> = Screwless Type	<b>N</b> = NON Approval <b>A</b> = UL /UR Approval Please consult EDCON for available <b>B</b> = VDE Approval Please consult EDCON for available <b>C</b> = TÜV Approval Please consult EDCON for available	<b>R</b> = ROHS Conform <b>N</b> = NON ROHS Conform	<b>B</b> = Bulk-Ware <b>I</b> = Individual Package	<b>xxxxxx</b> = Customer Number	<b>xxx</b> = Customer Version ??(Printing)		
---------------	---	---	--	--	--	---	---------------------------------	--	--	--

**Pluggable Terminal Block (Plug)**

Part No.: **A14G149**

DRW:	Jason	CHKD	Wilson	MATL:	Wilson	TOLERANCE	Mason	DATE	25.03.2017
APPD:	Schumi			FINISH	Jamy		Sheet No.		3 from 3

Customer: