

Data Sheet

Pluggable Terminal Block (Plug)

Pitch: 3,50 mm

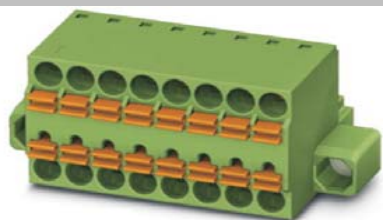
Serie: A14G146

Customer Information for special Item

EDCON Customer : 0

Customer Version No. : 0

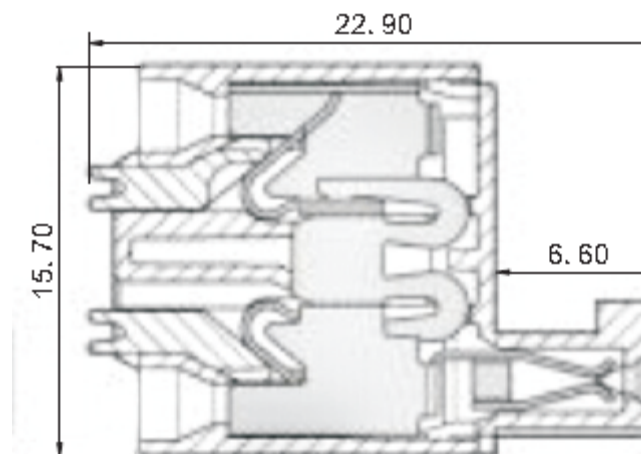
EDCON-COMPONENTS



Technical Discription

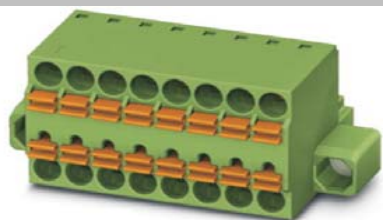
Electrical	UL	CE
Rated Voltage	300Volt	250V
Rated Current	8A	7A
Wire Range		1,5mm ²
Wire Range AWG-Size	16 ~ 28	
Withstanding Voltage	2,0KV	2,0KV
Insulation Resistance	5000MΩ / 1KV	
Mechanical		
Operating Temperature	-40°C ~ +105°C	
Wire Strip Length	6-7mm	
Screw Torque	0,2 / (1,8In-In.)	
Screw Size	M2	
Dimensions		
Pitch (mm)	3,50	
Poles	2 ~ 24 Pos.	
Materials		
Terminal Housing	PA66, UL94V-0	
Pin Header	Brass Tin Plated	
Screw	Steel Ni-plated / Zinc Plated	
Cage	Brass Ni Plated	

Drawing (Dimension in mm)

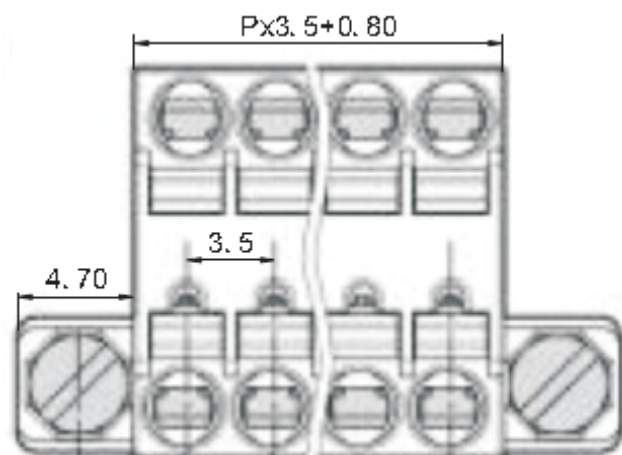


							Unspecified Tolerance (mm)			Pluggable Terminal Block (Plug)		
							X.	X.x	X.xx		X.xxx	X.xxxx
							0,35	0,25	0,2	0,15		Part No.: A14G146
DRW:	Jason	CHKD	Wilson	MATL:	Wilson	TOLERANCE	Mason	DATE	25.03.2017	Customer:		
APPD:	Schumi			FINISH	Jamy		Sheet No.	1 from 3				

EDCON-COMPONENTS



Dimension Tolerance (mm)



No. of Pos.	P	Tol. A	B	Tol. B
02	4,30	± 0,10	3,50	± 0,10
03	7,80	± 0,10	7,00	± 0,10
04	11,30	± 0,10	10,50	± 0,10
05	14,80	± 0,10	14,00	± 0,10
06	18,30	± 0,10	17,50	± 0,10
07	21,80	± 0,10	21,00	± 0,10
08	25,30	± 0,10	24,50	± 0,10
09	28,80	± 0,20	28,00	± 0,20
10	32,30	± 0,20	31,50	± 0,20
11	35,80	± 0,20	35,00	± 0,20
12	39,30	± 0,20	38,50	± 0,20
13	42,80	± 0,20	42,00	± 0,20
14	46,30	± 0,20	45,50	± 0,20
15	49,80	± 0,20	49,00	± 0,20
16	53,30	± 0,20	52,50	± 0,20
17	56,80	± 0,30	56,00	± 0,30
18	60,30	± 0,30	59,50	± 0,30
19	63,80	± 0,30	63,00	± 0,30
20	67,30	± 0,30	66,50	± 0,30
21	70,80	± 0,30	70,00	± 0,30
22	74,30	± 0,30	73,50	± 0,30
23	77,80	± 0,30	77,00	± 0,30
24	81,30	± 0,30	80,50	± 0,30

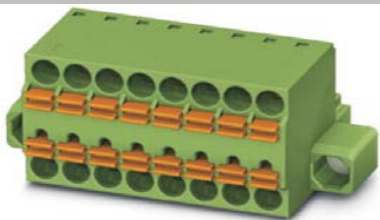
Pluggable Terminal Block (Plug)

Part No.: **A14G146**

Customer:

DRW:	Jason	CHKD	Wilson	MATL:	Wilson	TOLERANCE	Mason	DATE	25.03.2017
APPD:	Schumi			FINISH	Jamy		Sheet No.	2 from 3	



EDCON-COMPONENTS



Ordering Informations

Serie	No. of Pos.	Body Color	Screw Type	Approval Code	ROHS	Packing	EDCON Cust. No.	Customer Version		
-------	-------------	------------	------------	---------------	------	---------	-----------------	------------------	--	--

A14G146	02	PG	C	N	R	B				
----------------	-----------	-----------	----------	----------	----------	----------	--	--	--	--

Pitch 3,50	02 = Number of Pos. Standard 2 ~ 24Pos.	PG = Phoenix Green (Standard) WH = White GN = Green GY = Gray LG = Light Gray OR = Orange BL = Blue BK = Black	A = Slotted Screw Type (Standard)  B = Cross Slotted Screw Type  C = Screwless Type	N = NON Approval A = UL /UR Approval Please consult EDCON for available B = VDE Approval Please consult EDCON for available C = TÜV Approval Please consult EDCON for available	R = ROHS Conform N = NON ROHS Conform	B = Bulk-Ware I = Individual Package	xxxxxx = Customer Number	xxx = Customer Version ??(Printing)		
---------------	---	---	--	--	--	---	---------------------------------	--	--	--

Pluggable Terminal Block (Plug)

Part No.: **A14G146**

DRW:	Jason	CHKD	Wilson	MATL:	Wilson	TOLERANCE	Mason	DATE	25.03.2017
APPD:	Schumi			FINISH	Jamy			Sheet No.	3 from 3

Customer: