

Data Sheet

Pluggable Terminal Block (Plug)

Pitch: 3,50 mm

Serie: A14G145

Customer Information for special Item

EDCON Customer : 0

Customer Version No. : 0

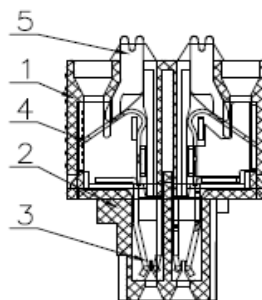
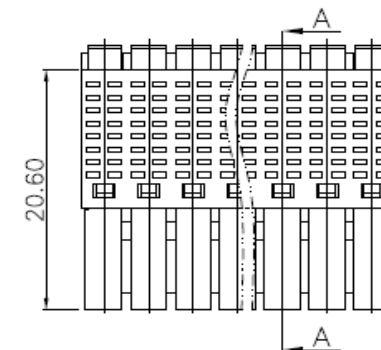
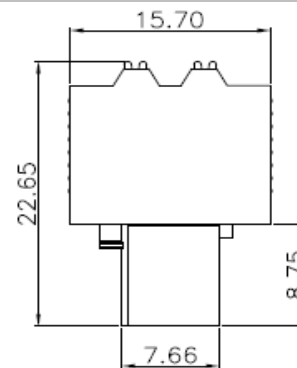
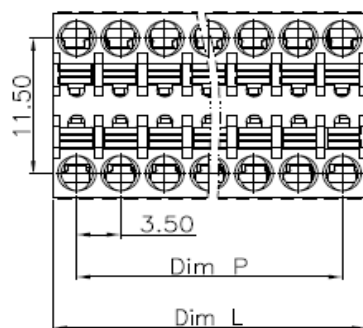
EDCON-COMPONENTS



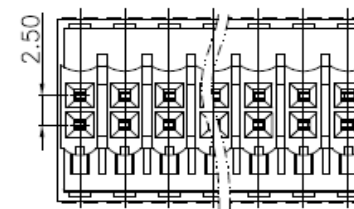
Technical Discription

Electrical	UL	CE
Rated Voltage	300Volt	250V
Rated Current	8A	7A
Wire Range		1,5mm ²
Wire Range AWG-Size	16 ~ 28	
Withstanding Voltage	2,0KV	2,0KV
Insulation Resistance	5000MΩ / 1KV	
Mechanical		
Operating Temperature		-40°C ~ +105°C
Wire Strip Length		6-7mm
Screw Torque		0,2 / (1,8In.-In.)
Screw Size		M2
Dimensions		
Pitch (mm)		3,50
Poles		2 ~ 24 Pos.
Materials		
Terminal Housing		PA66, UL94V-0
Pin Header		Brass Tin Plated
Screw		Steel Ni-plated / Zinc Plated
Cage		Brass Ni Plated

Drawing (Dimension in mm)



SECTION A-A



					Unspecified Tolerance (mm)					Pluggable Terminal Block (Plug)
					X.	X.x	X.xx	X.xxx	X.xxxx	
DRW:	Jason	CHKD	Wilson	MATL:	Wilson	TOLERANCE	Mason	DATE	25.03.2017	Part No.: A14G145
APPD:	Schumi			FINISH	Jamy		Sheet No.		1 from 3	Customer:

EDCON-COMPONENTS



Dimension Tolerance (mm)

No. of Pos.	P	Tol. A	B	Tol. B
02	4,30	± 0,10	3,50	± 0,10
03	7,80	± 0,10	7,00	± 0,10
04	11,30	± 0,10	10,50	± 0,10
05	14,80	± 0,10	14,00	± 0,10
06	18,30	± 0,10	17,50	± 0,10
07	21,80	± 0,10	21,00	± 0,10
08	25,30	± 0,10	24,50	± 0,10
09	28,80	± 0,20	28,00	± 0,20
10	32,30	± 0,20	31,50	± 0,20
11	35,80	± 0,20	35,00	± 0,20
12	39,30	± 0,20	38,50	± 0,20
13	42,80	± 0,20	42,00	± 0,20
14	46,30	± 0,20	45,50	± 0,20
15	49,80	± 0,20	49,00	± 0,20
16	53,30	± 0,20	52,50	± 0,20
17	56,80	± 0,30	56,00	± 0,30
18	60,30	± 0,30	59,50	± 0,30
19	63,80	± 0,30	63,00	± 0,30
20	67,30	± 0,30	66,50	± 0,30
21	70,80	± 0,30	70,00	± 0,30
22	74,30	± 0,30	73,50	± 0,30
23	77,80	± 0,30	77,00	± 0,30
24	81,30	± 0,30	80,50	± 0,30

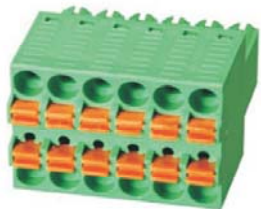
**Pluggable Terminal Block
(Plug)**

Part No.: **A14G145**

Customer:

DRW:	Jason	CHKD	Wilson	MATL:	Wilson	TOLERANCE	Mason	DATE	25.03.2017
APPD:	Schumi			FINISH	Jamy		Sheet No.		2 from 3

EDCON-COMPONENTS





Ordering Informations

Serie	No. of Pos.	Body Color	Screw Type	Approval Code	ROHS	Packing	EDCON Cust. No.	Customer Version		
-------	-------------	------------	------------	---------------	------	---------	-----------------	------------------	--	--

A14G145	02	PG	C	N	R	B				
----------------	-----------	-----------	----------	----------	----------	----------	--	--	--	--

Pitch
3,50

02 = Number of Pos. Standard 2 ~ 24Pos.	PG = Phoenix Green (Standard)	A = Slotted Screw Type (Standard) 	N = NON Approval A = UL /UR Approval Please consult EDCON for available	R = ROHS Conform N = NON ROHS Conform	B = Bulk-Ware I = Individual Package	xxxxxx = Customer Number	xxx = Customer Version ??(Printing)
	WH = White						
	GN = Green	B = Cross Slotted Screw Type 	B = VDE Approval Please consult EDCON for available				
	GY = Gray						
	LG = Light Gray						
	OR = Orange	C = Screwless Type	C = TÜV Approval Please consult EDCON for available				
	BL = Blue						
BK = Black							

Pluggable Terminal Block (Plug)
Part No.: A14G145
Customer:

DRW:	Jason	CHKD	Wilson	MATL:	Wilson	TOLERANCE	Mason	DATE	25.03.2017
APPD:	Schumi			FINISH	Jamy		Sheet No.		3 from 3