

Data Sheet

Pluggable Terminal Block (Plug)

Pitch: 3,50 mm

Serie: A14G144

Customer Information for special Item

EDCON Customer : 0

Customer Version No. : 0

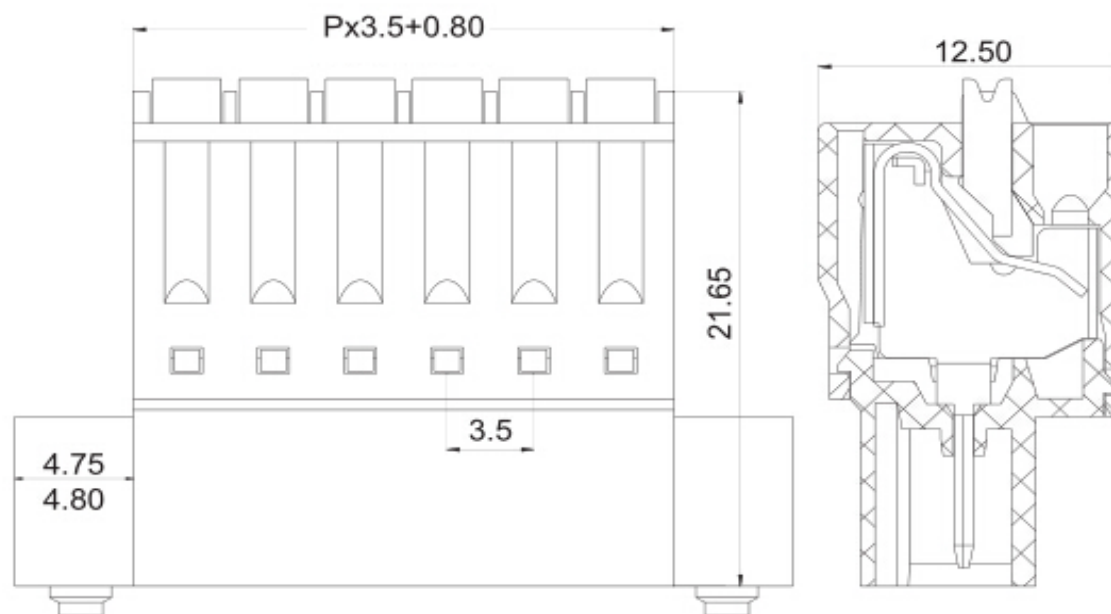
EDCON-COMPONENTS



Technical Discription

Electrical	UL	CE
Rated Voltage	300Volt	250V
Rated Current	8A	7A
Wire Range		1,5mm ²
Wire Range AWG-Size	16 ~ 28	
Withstanding Voltage	2,0KV	2,0KV
Insulation Resistance	5000MΩ / 1KV	
Mechanical		
Operating Temperature	-40°C ~ +105°C	
Wire Strip Length	6-7mm	
Screw Torque	0,2 / (1,8In-In.)	
Screw Size	M2	
Dimensions		
Pitch (mm)	3,50	
Poles	2 ~ 24 Pos.	
Materials		
Terminal Housing	PA66, UL94V-0	
Pin Header	Brass Tin Plated	
Screw	Steel Ni-plated / Zinc Plated	
Cage	Brass Ni Plated	

Drawing (Dimension in mm)



							Unspecified Tolerance (mm)			Pluggable Terminal Block (Plug)		
							X.	X.x	X.xx		X.xxx	X.xxxx
							0,35	0,25	0,2	0,15		Part No.: A14G144
DRW:	Jason	CHKD	Wilson	MATL:	Wilson	TOLERANCE	Mason	DATE	25.03.2017	Customer:		
APPD:	Schumi			FINISH	Jamy		Sheet No.	1 from 3				

EDCON-COMPONENTS



Dimension Tolerance (mm)

No. of Pos.	P	Tol. A	B	Tol. B
02	4,30	± 0,10	3,50	± 0,10
03	7,80	± 0,10	7,00	± 0,10
04	11,30	± 0,10	10,50	± 0,10
05	14,80	± 0,10	14,00	± 0,10
06	18,30	± 0,10	17,50	± 0,10
07	21,80	± 0,10	21,00	± 0,10
08	25,30	± 0,10	24,50	± 0,10
09	28,80	± 0,20	28,00	± 0,20
10	32,30	± 0,20	31,50	± 0,20
11	35,80	± 0,20	35,00	± 0,20
12	39,30	± 0,20	38,50	± 0,20
13	42,80	± 0,20	42,00	± 0,20
14	46,30	± 0,20	45,50	± 0,20
15	49,80	± 0,20	49,00	± 0,20
16	53,30	± 0,20	52,50	± 0,20
17	56,80	± 0,30	56,00	± 0,30
18	60,30	± 0,30	59,50	± 0,30
19	63,80	± 0,30	63,00	± 0,30
20	67,30	± 0,30	66,50	± 0,30
21	70,80	± 0,30	70,00	± 0,30
22	74,30	± 0,30	73,50	± 0,30
23	77,80	± 0,30	77,00	± 0,30
24	81,30	± 0,30	80,50	± 0,30

Pluggable Terminal Block (Plug)

Part No.: **A14G144**

Customer:

DRW:	Jason	CHKD	Wilson	MATL:	Wilson	TOLERANCE	Mason	DATE	25.03.2017
APPD:	Schumi			FINISH	Jamy		Sheet No.		2 from 3



EDCON-COMPONENTS



Ordering Informations

Serie	No. of Pos.	Body Color	Screw Type	Approval Code	ROHS	Packing	EDCON Cust. No.	Customer Version		
A14G144	02	PG	C	N	R	B				

Pitch
3,50

02= Number of Pos. Standard 2 ~ 24Pos.	PG= Phoenix Green (Standard) WH= White GN= Green GY= Gray LG= Light Gray OR= Orange BL= Blue BK= Black	A= Slotted Screw Type (Standard)  B= Cross Slotted Screw Type  C= Screwless Type	N= NON Approval A= UL /UR Approval Please consult EDCON for available B= VDE Approval Please consult EDCON for available C= TÜV Approval Please consult EDCON for available	R= ROHS Conform N= NON ROHS Conform	B= Bulk-Ware I= Individual Package	xxxxxx= Customer Number	xxx= Customer Version ??(Printing)
--	---	---	---	--	---	--------------------------------	--

Pluggable Terminal Block (Plug)
Part No.: A14G144
Customer:

DRW:	Jason	CHKD	Wilson	MATL:	Wilson	TOLERANCE	Mason	DATE	25.03.2017
APPD:	Schumi			FINISH	Jamy		Sheet No.		3 from 3