

Data Sheet

Plug Screw-Type w/o mounting Flange

Pitch: 2,54 mm

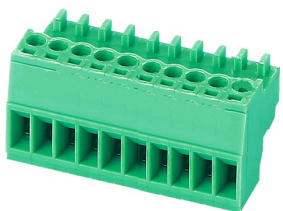
Serie: A14F016

Customer Information for special Item

EDCON Customer : 0

Customer Version No. : 0

EDCON-COMPONENTS



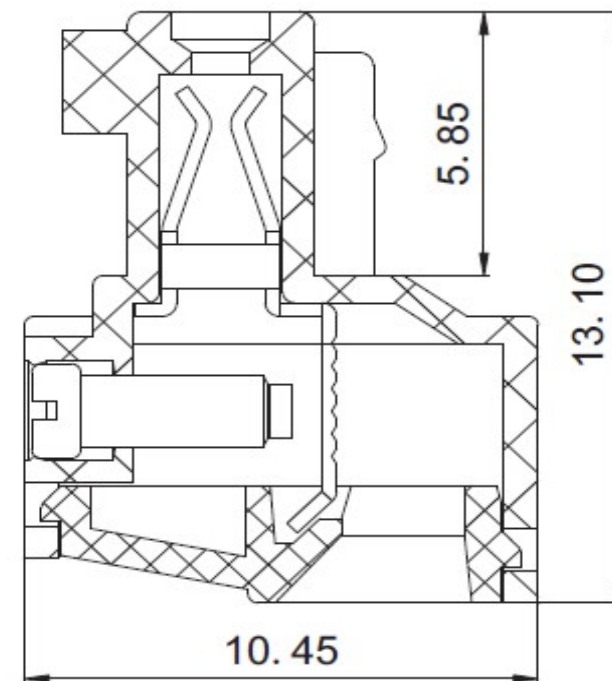
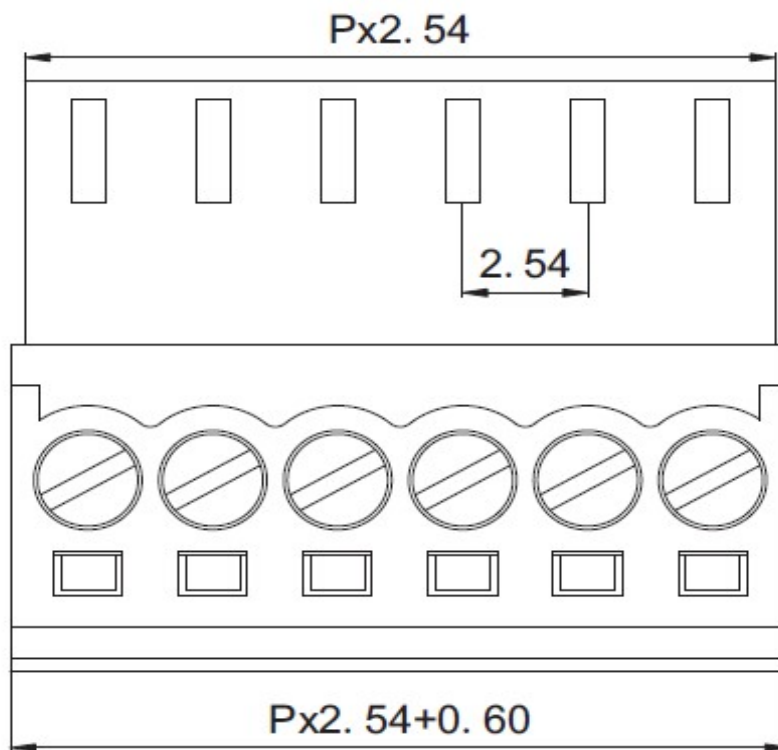
Technical Description

Drawing (Dimension in mm)

UL/CUL Techn.Data			
Use Group	B	C	D
Rated Voltage: (V)	125	-	150
Rated Current: (A)	4	-	5
Wire Range Solid / Stranged	28~20AWG / 0,5mm ²		
Withstanding Voltage:	1250V/1Min		
IEC Techn. Data VDE			
Overvoltage Category	III	III	II
Contamination Class	3	2	2
Rated Voltage: (V)	-	160	200
Rated Current: (A)	-	4	4
Impulse withstand Voltage (KV)	-	2,5	2,5
Conductor Cross Section (mm ²)			

Material	
Insulator Material:	PA66
Imflammability:	UL94V-0
Contact Material	Copper Alloy
Surface Coating:	Tin Plated

Other Informations	
Pitch:(mm)	2,54
Poles: (P)	2 ~ 24
Stripping Length: (mm)	5,0~6,0
Srew Torque max.(Nm)	0,1
Operating Temp.: (°C)	-.40°C to +105°C
Pin Dimension: (mm)	3,5
PCB Hole Diamter (mm)	1,4
Screw-Size	M1,6



Tolerances unless otherwise specified (mm)

x	x.x	x.xx	x.xxx	Angle
±	±0,60	±0,30	±0,10	±3°

Plug Screw-Type w/o mounting Flange

Part No.: **A14F016**

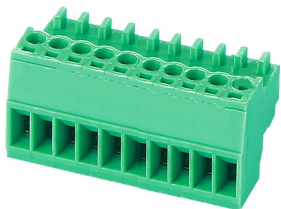
Customer:

DRW:	Jason	CHKD	Wilson	MATL:	Wilson	DATE	01.02.2023
APPD:	Schumi			FINISH	Jamy	Sheet No.	1 from 2

www.edcon-components.com

email: info@edcon-components.com



EDCON-COMPONENTS



Ordering Informations

Serie	No. of Pos.	Body Color	Screw Type	Approval Code	ROHS	Packing	EDCON Cust. No.	Customer Version		
-------	-------------	------------	------------	---------------	------	---------	-----------------	------------------	--	--

A14F016	XX	PG	A	N	R	B				
----------------	-----------	-----------	----------	----------	----------	----------	--	--	--	--

Pitch 2,54	Standard 2 ~ 24Pos.	PG= Phoenix Green (Standard)	A= Slotted Screw Type (Standard)	N= NON Approval	R= ROHS Conform	B= Bulk-Ware	xxxxxx= Customer Number	xxx= Customer Version ??(Printing)
		WH= White		A= UL /UR Approval Please consult EDCON for available	N= NON ROHS Conform			
	GN= Green	B= Cross Slotted Screw Type		B= VDE Approval Please consult EDCON for available				
	GY= Gray							
	LG= Light Gray							
	OR= Orange							
	BL= Blue							
BK= Black			C= TÜV Approval Please consult EDCON for available					

Plug Screw-Type w/o mounting Flange	
Part No.:	A14F016
Customer:	

DRW:	Jason	CHKD	Wilson	MATL:	Wilson	TOLERANCE	Mason	DATE	01.02.2023
APPD:	Schumi			FINISH	Jamy		Sheet No.		2 from 2